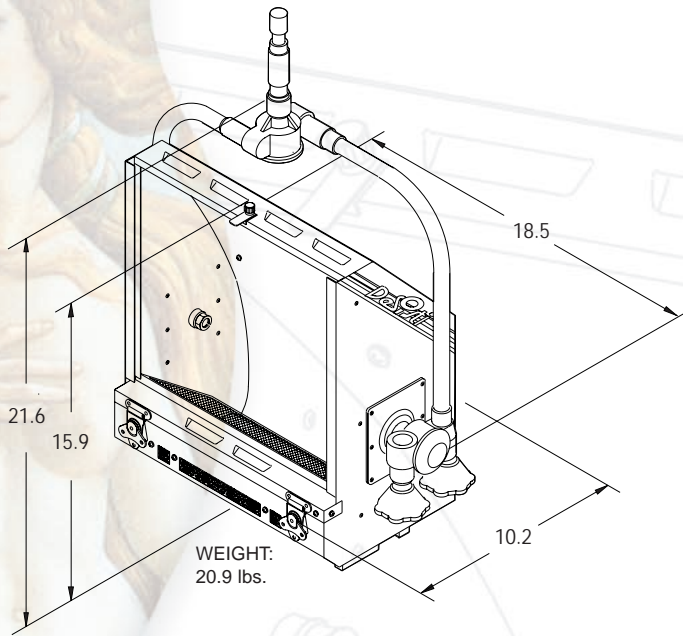
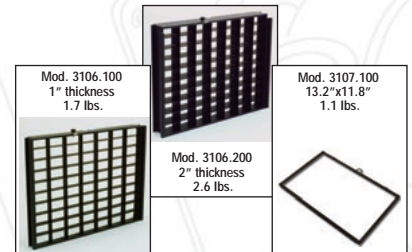


BOTTICELLI 1kW



Mod. 3103

PHOTOMETRIC DATA BOTTICELLI 1000W					
Values measured with: P2/20 Lamp, 230V, Silver reflector					
FEET					
TYPICAL DISTANCES	10'	20'	30'	40'	
Candle Power					FOOTCANDLES
LIGHT CENTER VALUES	4,753	48	12	5	3
F.C. at any distance = CANDLE POWER : [Distance (in ft)] ²					
BEAM ANGLE (50% OF CENTER VALUE)			BEAM SIZE (W x H in feet)		
WIDTH	69°	13.7'	27.5'	41.2'	55'
HEIGHT	76°	15.6'	31.3'	46.9'	6.5'



Mod. 3101

