

Peakmeter 1204A, 1204A-BL, 1204A-SW

Description

Peakmeter

The level meter 1204A is a table-top unit with a swivelling display part. It is featured by a two-channel high resolution LED-Display.

Peakhold display

Peak values can be displayed as a two segment spot. Release can be either manual or automatically.

Loudness display

Additional to the peak level values the loudness values can be shown on the same display. Analogous to the physiological process which takes place in the human ear the both dominant signal parameters "frequency" and "impulse" are weighted and displayed.

Stereo Correlation display

The three-color display gives a clear indication of the phase relationship of stereo signals.



Analog/DIN • Electr.-bal. • 10/1/0.1 ms • Correlator • Peakhold • +20 dB/Memo • Loudness

TECHNICAL SPECIFICATIONS

General

Supply voltage: 24 V DC 230 mA
 Weight: approx. 540 g
 Dimensions: 168 x 94,5 x 80,5 mm
 Operating temperature range: +5° to +45° celsius
 AF-connection cable: length 2m with 2 XLR-female connector
 DC-connection cable: length 2m with 4-pin bayonet connector
 Controls: 5 pushbuttons

- MEMO (S1)
- GAIN (S2)
- RESET (S3)
- LOUD (SET)
- PHOLD(NEXT)

Indicators:

- Gain
- Cal
- 1 ms
- 0.1 ms
- M1
- M2

Peakmeter

Measuring standard: DIN
 Scale length: 111 mm
 Display segments: 106 LED segments/channel
 Scale range: -55 dB to +5 dB
 Headroom: 0 dB to +5 dB
 Color of display: to 0 dB yellow, to +5 dB red
 Measuring accuracy: ±0.3 dB in the range of -10 dB to +5 dB
 ±1.0 dB in the range of -40 dB to -10 dB
 Integration time: 10 ms, 1 ms or 0.1 ms
 Fall back time: 1.5 s for 20 dB

Correlation display

Display: LED-Display
 Scale segments: -1r to + 1r
 Scale length: 27 mm
 Display: 26-segment LED-display
 Color of display: red -1r to -0.2r
 yellow 0r
 green +0.2r to +1r

Loudness display

Display: Spot with four green segments
 Frequency weighting: 3 filter stages per channel
 Detector: True-RMS

XLR-input connector:

Max input level: +21 dBu
 Input sensitivity for 0 dB display: +6 dBu (1,55 V)
 Adjustable range for 0 dB display via menu: -18 dB to +2 dB (referenced to internal preset level, standard: +6 dBu)
 CMRR: > 40 dB
 Input impedance: > 40 kΩ (30 Hz to 20 kHz)

Items delivered

Peakmeter 1204A
 light grey RAL 7035

- wall mains transformer
- operating manual

Order number: 1204A

Peakmeter 1204A-BL
 violet blue RAL 5000

- wall mains transformer
- operating manual

Order number: 1204A-BL

Peakmeter 1204A-SW
 traffic black RAL 9017

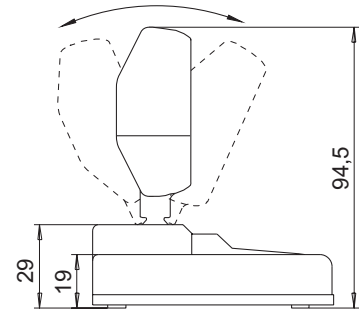
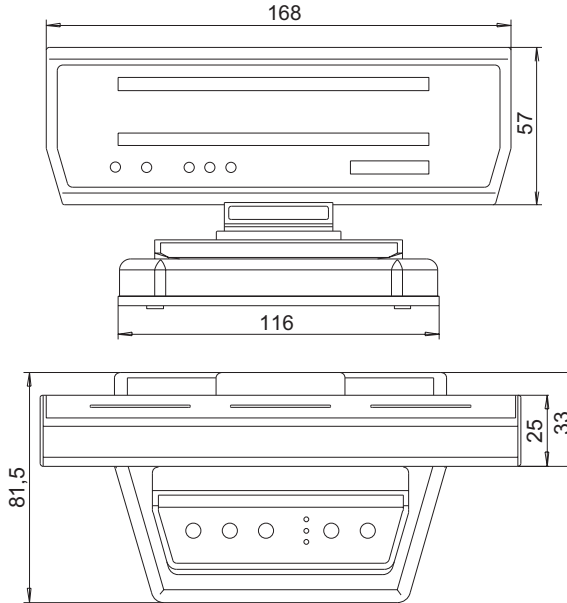
- wall mains transformer
- operating manual

Order number: 1204A-SW

Data Sheet

Peakmeter 1204A, 1204A-BL, 1204A-SW

DIMENSIONS



Abmessungen in mm. Darstellungsgrösse reduziert.
Dimensions in mm, scaled down.

CONNECTION

(View to mounted connectors)

Connectors

The instruments feature 2 XLR-F cable connectors:

Balanced wiring:

Pin 1 case
Pin 2 + (hot)
Pin 3 - (cold)

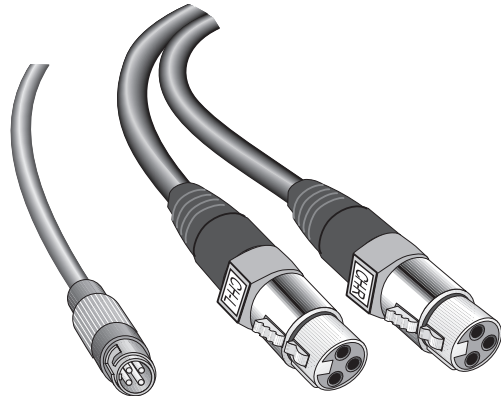
Unbalanced wiring:

Pin 1 + 3 connected - (cold)
Pin 2 + (hot)

Power supply

Pinning:

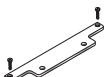
0 V 3 2 +24 V DC/230 mA
0 V 4 1 +24 V DC/230 mA



COLORS

Case	RAL 7035 light grey	Scale	RAL 5000 violet blue/7035 light grey (1204A)
Case	RAL 5000 violet blue	Scale	RAL 5000 violet blue/7035 light grey (1204A-BL)
Case	RAL 9017 traffic black	Scale	RAL 7011 iron grey/7040 window grey (1204A-SW)

ACCESSORIES



Fastening kit
Order no. 12991

Subject to technical changes without prior notice 10/2006

RTW

RTW RADIO-TECHNISCHE WERKSTÄTTEN GmbH & Co. KG
Elbeallee 19 • 50765 Köln • Germany
Phone: +49(0)221 - 7 09 13-33 • FAX: +49(0)221 - 7 09 13-32
Internet: www.rtw.de • E-Mail: rtw@rtw.de

Planning Guide • Page 1-4
Data Sheets Analog Peakmeter (Table-top Units)