

GENERAL DESCRIPTION

Peakmeter

The level meter 1205D is a table-top unit with a swivelling display part. It is featured by a two-channel high resolution LED-Display.

Peakhold display

Peak values can be displayed as a two segment spot. Release can be either manual or automatically.

Loudness display

Additional to the peak level values the loudness values can be shown on the same display. Analogous to the physiological process which takes place in the human ear the both dominant signal parameters "frequency" and "impulse" are weighted and displayed.

Stereo Correlation display

The three-colour display gives a clear indication of the phase relationship of stereo signals.

TECHNICAL DATA PEAKMETER 1205D 1205D-BL



Digital

xformer.-bal.

Sample/10 ms

Correlator

Peakhold

+40 dB/Memo

Loudness

TECHNICAL SPECIFICATIONS

General

Supply voltage: 24 V DC 210 mA
 Weight: approx. 540 g
 Dimensions: 168 x 94,5 x 80,5 mm
 Operating temperature range: +5° to +45° celsius
 AES-connection cable: length 2m with 2 XLR-connectors
 DC-connection cable: length 2m with 4-pin bayonet connector
 Controls:

- MEMO (S1)
- GAIN (S2)
- RESET (S3)
- LOUD (SET)
- PHOLD (NEXT)

Indicators:

- Gain
- Cal
- Slow
- 44 kHz
- 48 kHz
- 96 kHz
- M1
- M2

Peakmeter

Scale length: 111 mm
 Display segments: 106 LED segments/channel
 Scale range: -60 dB to 0 dB
 Headroom: adjustable -5 dB FS to -20 dB FS
 Colour of display: up to headroom yellow, headroom red
 Integration time: sample or 10 ms
 Fall back time: 1.5 s for 20 dB

Correlation display

Display: LED-Display
 Scale segments: -1r to + 1r
 Scale length: 27 mm
 Display: 26-segment LED-display
 Colour of display:

red -1r to -0,2r
 yellow 0r
 green +0,2r to +1r

Loudness display

Display: Spot with four green segments
 Frequency weighting: 3 filter stages per channel
 Detector: True-RMS

In- and Outputs

Signal input: AES/EBU digital format, transformer balanced 110 Ω
 Signal outputs: looped digital input signal

Items delivered

Peakmeter 1205D
 light grey RAL 7035

- wall mains transformer
- operating manual

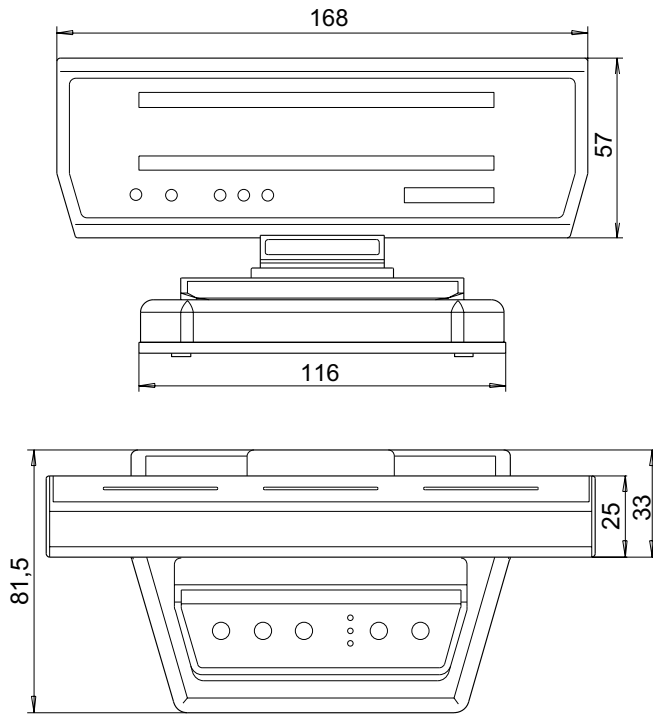
Order number: 1205D

Peakmeter 1205D-BL
 violet blue RAL 5000

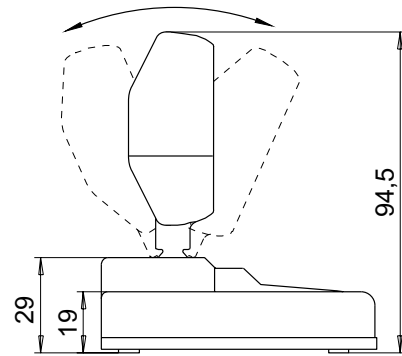
- wall mains transformer
- operating manual

Order number: 1205D-BL

DIMENSIONS



PEAKMETER 1205D 1205D-BL



Abmessungen in mm. Darstellungsgröße reduziert.
Dimensions in mm, scaled down.

CONNECTION

The unit features 2 XLR cable connectors:

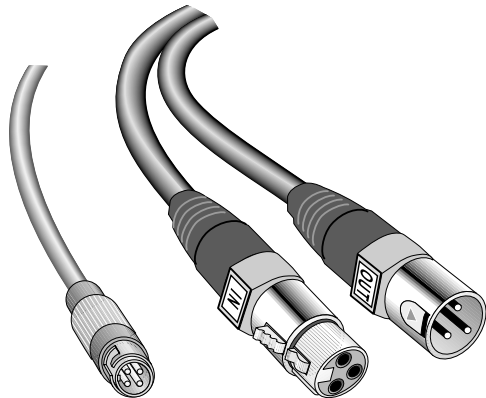

Wiring:

Pin 1	0V
Pin 2	+ / hot
Pin 3	- / cold

DC supply

Pinning:

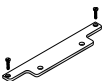
1-2	+24 V	3	1
3-4	0 V	4	2



COLOURS

RAL 7035 light grey
RAL 5000 violet blue

ACCESSORIES



Fastening kit
Order no. 13717

Subject to technical changes without prior notice 18/06/2002