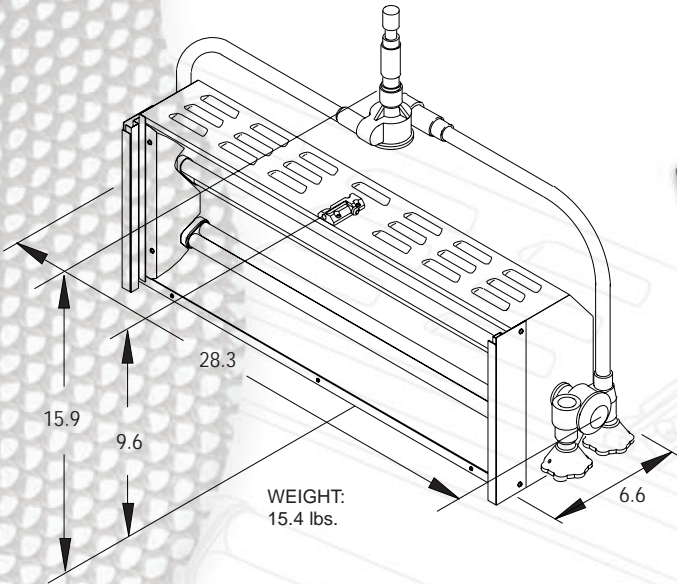


# DE LUX 2



Mod. 4601

PHOTOMETRIC DATA "DE LUX 2" 110 W					
Values measured with OSRAM Compact fluorescent lamps Dulux and Studio Line, on DMX 220 V DE LUX					
FEET					
TYPICAL DISTANCES		10'	15'	20'	25'
LIGHT CENTER VALUES		Candle Power		FOOTCANDLES	
OSRAM Dulux/31 RGB	4,086	41	18	10	7
OSRAM Dulux/32 Full Spectrum	2,880	29	13	7	5
OSRAM Dulux/12 Full Spectrum	3,150	32	14	8	5
OSRAM Studio Line 3200° K	4,347	43	19	11	7
OSRAM Studio Line 5600° K	4,185	42	19	10	7
F.C. at any distance = CANDLE POWER : [Distance (in ft)] <sup>2</sup>					
BEAM ANGLE (50% OF CENTER VALUE)		BEAM SIZE (W x H in feet)			
WIDTH w/o accessories	98°	23'	34.5'	46'	57.5'
HEIGHT w/o accessories	62°	12'	18'	24'	30'
WIDTH with Honeycomb	35°	6.3'	9.5'	12.6'	15.8'
HEIGHT with Honeycomb	31°	5.5'	8.3'	11.1'	13.9'

