



DE LUX 2 (standard & Cyc versions)

110 Watt High Efficiency Fluorescent

DATA SHEET
3/6/2008



STANDARD SYMMETRICAL VERSIONS

The DE-LUX fixtures have the highest output per aperture and are the most controllable fluorescent fixtures on the market today. The new DE-LUX is a response to the long time needs of the Lighting Industry. Competitive pricing while reducing studio operating costs, without effecting the creativity and artistic freedom of the designer or customer is De Sisti's challenge. The result - The DE-LUX.

DE-LUX fixtures are extremely versatile, and utilize a dual accessory track for loading gel frames and egg crates. The high efficiency optical system does not require the use of intensifiers, reducing the overall dimensions and weight of the fixture.

DE-LUX Versions: Units are available in either manual or pole operated in 3 versions: ANALOG, DMX, PHASE CONTROL, all using High Frequency Electronics. The Analog, DMX and Phase control versions feature a very smooth control curve. The above versions are available for both 120V and 230V voltages.

The DE-LUX fixtures use the 55 watt biax lamps (compact fluorescents) rated for 10,000 hours, which are available in 5600°K daylight or 3200°K tungsten, with different color rendering indexes (RGB or STUDIO-LINE).



Vertical Mount

CYC ASYMMETRICAL VERSIONS

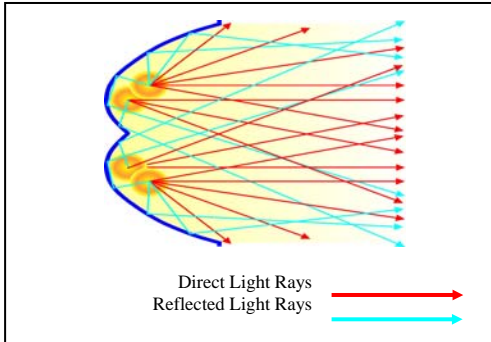
DE LUX Fluorescenta are also available with asymmetrical reflectors, to provide a very uniform and even light distribution over a cyclorama cloth or a background.

The above mentioned special optics allows for the CYC DE LUX to be located quite near to the background at the ceiling and yet provide the necessary light uniformity over the area of the cyclorama, without reflecting any coloured light on the actors shoulders.

The combination of the CYC DE LUX for wall lighting and the STANDARD DE LUX, for floor lighting, is an IDEAL package solution for BLUE or GREEN BOX Studios (Chroma Key and Ultimatte applications).



FEATURES

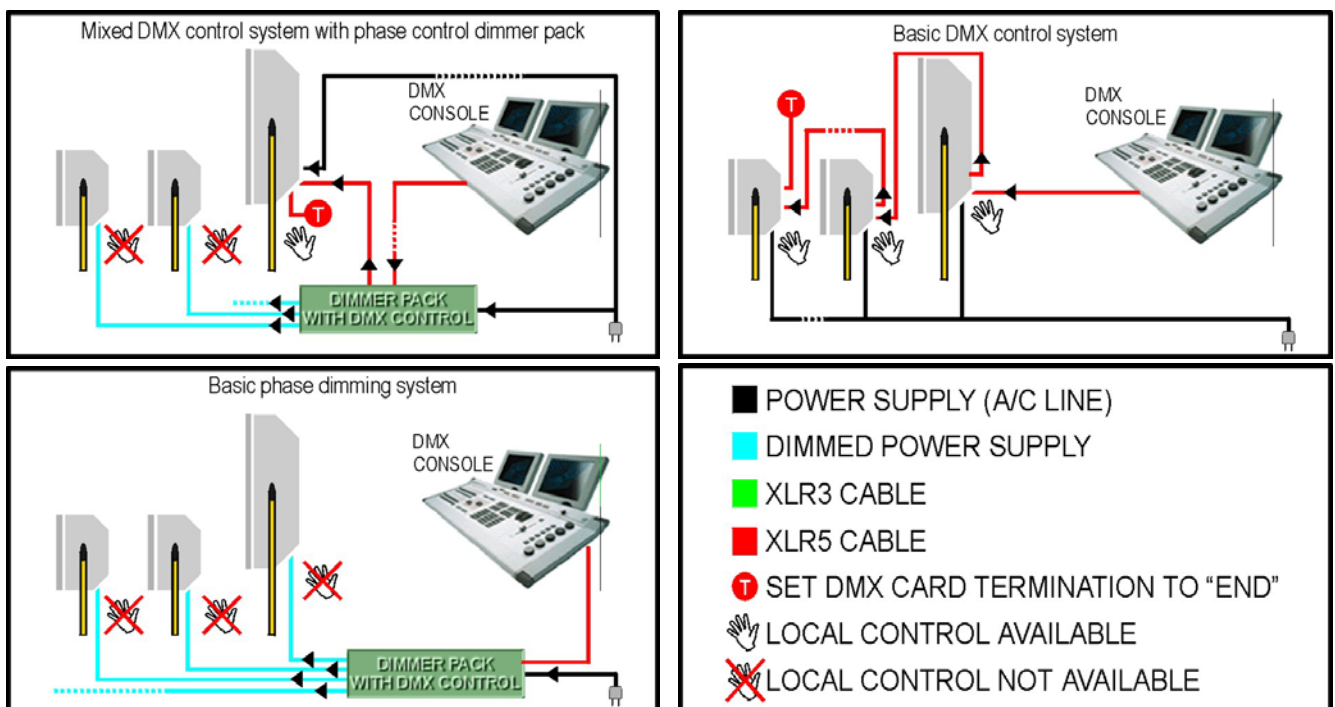


- Lightweight steel housing with low glare black epoxy powder coating.
- High efficiency reflector system eliminates the need for an external intensifier, while reducing the weight, size and cost.
- ANALOG, DMX or PHASE CONTROL versions are available for either 120V or 230V operation.
- Local intensity control available on ANALOG and DMX versions.
- Use 2 x 55 watt biax lamps (compact fluorescents) rated for 10,000 hours, which are available in 5600°K daylight or 3200°K tungsten, with different color rendering indexes (for instance RGB or

STUDIO-LINE).

- Power consumption 110 W
- DE-LUX fixtures are available with either positive lock manual yokes for comfort and ease of handling, or pole operated yokes which can be used via the lighting pole for Panning and Tilting the lights as well as manually, since the mechanical activators are equipped with clutches.
- Custom bracketing systems are available on request for simple configurations of DE-LUX sources. The accessories are secure regardless of the orientation of the fixture. Accessories have been designed for one hand installation.

ELECTRICAL LAYOUTS FOR ANALOG, PHASE CONTROLLED & DMX VERSIONS



Dimming fluorescent lights is necessary to balance the light level of the different sections of the studio. The use of very high frequency ballasts guarantees color temperature stability, flicker-free and noiseless operation. The DE-LUX complies with the very strict specifications of professional users: they are efficient, economical, and easy to set up in locations that may be already equipped with existing dimmer systems. Therefore compatibility with existing installations is not a problem. The DE-LUX Fluorescents are available with several dimming systems to fit the specifications of each installation.

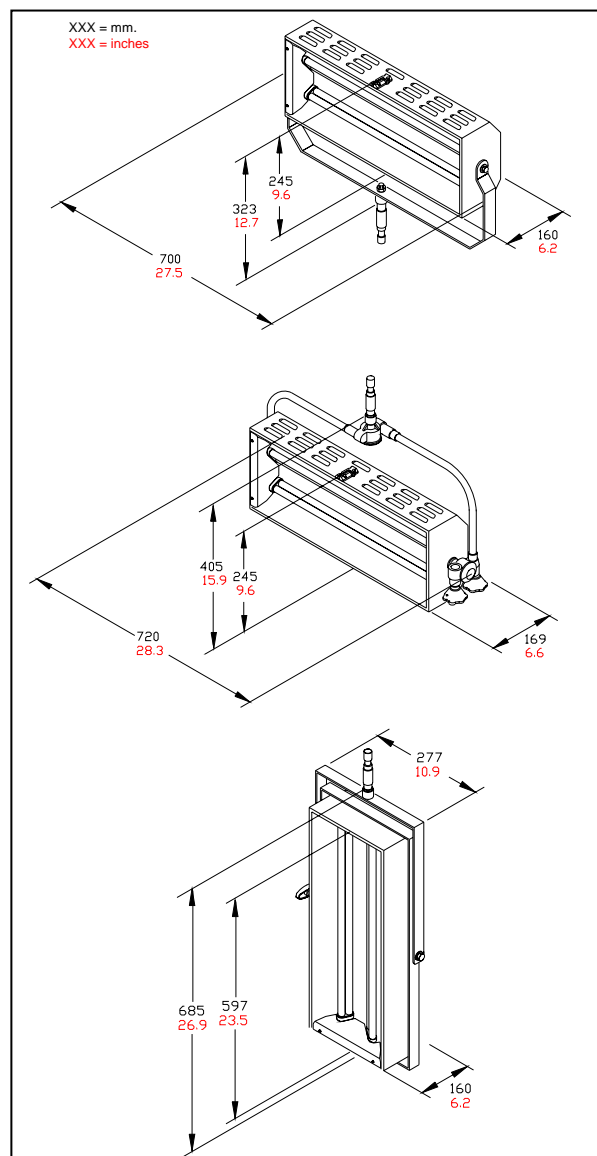
External dimming: The PHASE CONTROL version of the DE-LUX is ideal for studios already equipped with dimmers (please see equivalent riser). It is in fact sufficient to connect the Fixtures to a controlled output, in similarity to the tungsten light sources.

Built-in ballast dimming: This technology eliminates the need (and the cost) of a dimmer. The sources are powered on a standard non dimmed A/C line. They receive a separate control signal that can either be an analog 0 to +10V D.C. for the Analog version or DMX 512 for the DMX version. Therefore it is sufficient to have a lighting console with the relevant output to control the intensity of the DE-LUX. Both ANALOG and DMX versions feature a potentiometer for local control of the light intensity.



CHARACTERISTICS & PERFORMANCE DATA

DESCRIPTION	VALUE	
➤ Amperage - Fuses (all 5x20 slow blow)	Europe – 230 V Amp. (n° lamp- Fuse) 0,5 A (2 lamps-1,6 A)	America - 120 V Amp. (n° lamp- Fuse) 1,0 A(2 lamps-3,15A)
➤ Power supply	Europe 230 V / 50 Hz	America 120 V / 60 Hz
➤ Switch on the fixture	Toggle 10A\230V - 6 A (½ Hp) \ 120V	
➤ Lamp Holder	2 G 11	
➤ Power Cable (detachable)	 3 x 0,75 mm ² H05VV-F 90°C	
➤ Protection Class	Class 1 – ground connection required	
➤ Protection Type	IP 22	
➤ Max Housing surface temperature	70 °C	
➤ Weight of Fixtures (Kg)	MANUAL OPERATED	POLE OPERATED
	5,99 kg	6,99 kg
USABLE LAMPS base-watt-type	Manufacturers – Model	
2G11 - 55 w - SE	OSRAM Dulux/31 RGB	
2G11 - 55 w - SE	OSRAM Dulux/32 FULL SPECTRUM	
2G11 - 55 w - SE	OSRAM Dulux/12 FULL SPECTRUM	
2G11 - 55 w - SE	OSRAM STUDIO LINE 3.200°K	
2G11 - 55 w - SE	OSRAM STUDIO LINE 5.600°K	



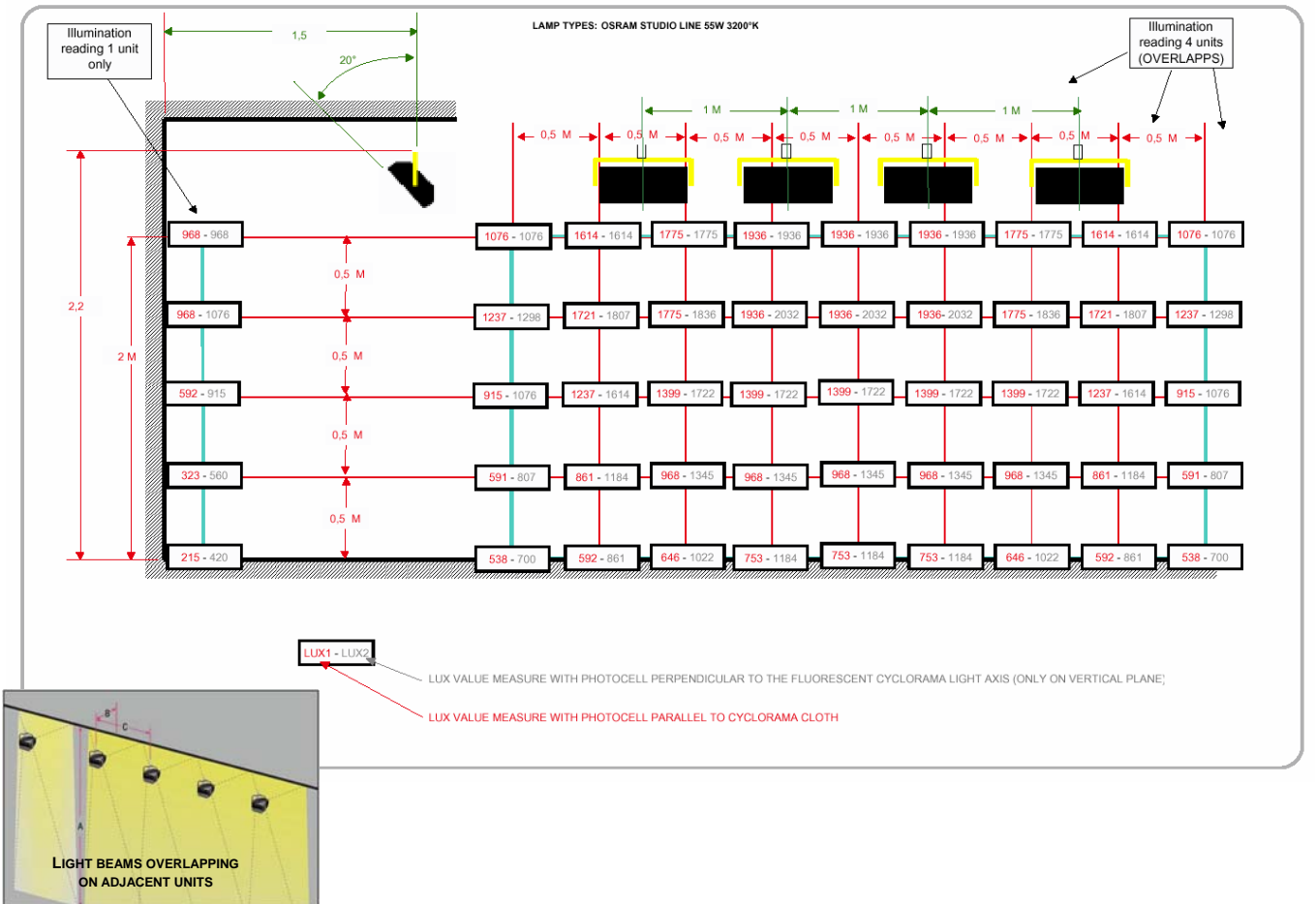
WORKING CONDITIONS

➤ Working Position	Lighting fixture: Max. Tilting ±90° from horizontal	Lamp position: any		
➤ Ambient Temperature, t _a	+45° C Max			
➤ Minimum distances from inflammable surfaces	Top	Back	Sides	Front
	0,2 m.	0,2 m.	0,2 m.	0,5 m.

PHOTOMETRIC DATA SYMMETRICAL DE LUX 2

PHOTOMETRIC DATA "DE LUX 2" - 110 WATT									
Values measured with: OSRAM compact fluorescent Lamps (BIAX) Dulux and Studio Line, on DMX 220V DE LUX FIXTURE									
FEET					METERS				
TYPICAL DISTANCES	10'	15'	20'	25'	3 mt	4,5 mt	6 mt	7,5 mt	
LIGHT CENTER VALUES	Candle Power	FOOTCANDLES				LUX			
OSRAMDulux31 RGB	4.086	41	18	10	7	454	202	114	73
OSRAMDulux32 FULL SPECTRUM	2.880	29	13	7	5	320	142	80	51
OSRAMDulux12 FULL SPECTRUM	3.150	32	14	8	5	350	156	88	56
OSRAM STUDIO LINE 3.200°K	4.347	43	19	11	7	483	215	121	77
OSRAM STUDIO LINE 5.600°K	4.185	42	19	10	7	465	207	116	74
F.C. AT ANY DISTANCE = Candle Power : [Distance(in ft)] ²					LUX AT ANY DISTANCE = Candle Power : [Distance(in m.)] ²				
BEAM ANGLE (50% of center value) W/O ACCESSORIES:		BEAM SIZE (W x H in feet)				BEAM SIZE (W x H in meters)			
WIDTH	98,0°	23,0'	34,5'	46,0'	57,5'	6,9 mt	10,4 mt	13,8 mt	17,3 mt
HEIGHT	62,0°	12,0'	18,0'	24,0'	30,0'	3,6 mt	5,4 mt	7,2 mt	9,0 mt
BEAM ANGLE (50% of center value) WITH HONEY COMB:		BEAM SIZE (W x H in feet)				BEAM SIZE (W x H in meters)			
WIDTH	35,0°	6,3'	9,5'	12,6'	15,8'	1,9 mt	2,8 mt	3,8 mt	4,7 mt
HEIGHT	31,0°	5,5'	8,3'	11,1'	13,9'	1,7 mt	2,5 mt	3,3 mt	4,2 mt

PHOTOMETRIC DATA ASYMMETRICAL DE LUX 2 FOR CYC LIGHTING



DE LUX 2 – 110 W VERSIONS & MODEL NUMBERS

DMX VERSIONS - standard symmetrical reflectors

4600.110	DE-LUX 230 V 2x55 M.O. DMX - Base light fluorescent VIDEO luminaire Manual Operated Stirrup, for lamps 55W. ON/OFF and light intensity control through a single DMX channel, local control included, Colour Frame (4607.100)
4600.210	DE-LUX 120 V 2x55 M.O. DMX - Base light fluorescent VIDEO luminaire Manual Operated Stirrup, for lamps 55W. ON/OFF and light intensity control through a single DMX channel, local control included, Colour Frame (4607.100)
4601.110	DE-LUX 230 V 2x55 P.O. DMX - Base light fluorescent VIDEO luminaire Pole Operated Stirrup, for lamps 55W. ON/OFF and light intensity control through a single DMX channel, local control included, Colour Frame (4607.100)
4601.210	DE-LUX 120 V 2x55 P.O. DMX - Base light fluorescent VIDEO luminaire Pole Operated Stirrup, for lamps 55W. ON/OFF and light intensity control through a single DMX channel, local control included, Colour Frame (4607.100)

DMX VERSIONS - CYCLORAMA - asymmetrical reflectors

4650.110	CYC DE-LUX 230 V 2x55 M.O. DMX - Base light fluorescent VIDEO luminaire Manual Operated Stirrup, for lamps 55W. ON/OFF and light intensity control through a single DMX channel, local control included, Colour Frame (4607.100)
4650.210	CYC DE-LUX 120 V 2x55 M.O. DMX - Base light fluorescent VIDEO luminaire Manual Operated Stirrup, for lamps 55W. ON/OFF and light intensity control through a single DMX channel, local control included, Colour Frame (4607.100)
4651.110	CYC DE-LUX 230 V 2x55 P.O. DMX - Base light fluorescent VIDEO luminaire Pole Operated Stirrup, for lamps 55W. ON/OFF and light intensity control through a single DMX channel, local control included, Colour Frame (4607.100)
4651.210	CYC DE-LUX 120 V 2x55 P.O. DMX - Base light fluorescent VIDEO luminaire Pole Operated Stirrup, for lamps 55W. ON/OFF and light intensity control through a single DMX channel, local control included, Colour Frame (4607.100)

ANALOGUE VERSIONS - standard symmetrical reflectors

4600.120	DE-LUX 230 V 2x55 M.O. ANALOGUE - Base light fluorescent VIDEO luminaire Manual Operated Stirrup, for lamps 55W. Light intensity control by a local potentiometer, Colour Frame (4607.100)
4600.220	DE-LUX 120 V 2x55 M.O. ANALOGUE - Base light fluorescent VIDEO luminaire Manual Operated Stirrup, for lamps 55W. Light intensity control by a local potentiometer, Colour Frame (4607.100)
4601.120	DE-LUX 230 V 2x55 P.O. ANALOGUE - Base light fluorescent VIDEO luminaire Pole Operated Stirrup, for lamps 55W. Light intensity control by a local potentiometer, Colour Frame (4607.100)
4601.220	DE-LUX 120 V 2x55 P.O. ANALOGUE - Base light fluorescent VIDEO luminaire Pole Operated Stirrup, for lamps 55W. Light intensity control by a local potentiometer, Colour Frame (4607.100)

ANALOGUE VERSIONS - CYCLORAMA - asymmetrical reflectors

4650.120	CYC DE-LUX 230 V 2x55 M.O. ANALOGUE - Base light fluorescent VIDEO luminaire Manual Operated Stirrup, for lamps 55W. Light intensity control by a local potentiometer, Colour Frame (4607.100)
4650.220	CYC DE-LUX 120 V 2x55 M.O. ANALOGUE - Base light fluorescent VIDEO luminaire Manual Operated Stirrup, for lamps 55W. Light intensity control by a local potentiometer, Colour Frame (4607.100)
4651.120	CYC DE-LUX 230 V 2x55 P.O. ANALOGUE - Base light fluorescent VIDEO luminaire Pole Operated Stirrup, for lamps 55W. Light intensity control by a local potentiometer, Colour Frame (4607.100)
4651.220	CYC DE-LUX 120 V 2x55 P.O. ANALOGUE - Base light fluorescent VIDEO luminaire Pole Operated Stirrup, for lamps 55W. Light intensity control by a local potentiometer, Colour Frame (4607.100)

PHASE CONTROL VERSIONS - standard symmetrical reflectors

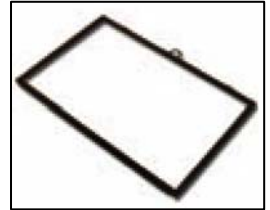
4600.140	DE-LUX 230 V 2x55 M.O. PHASE CONTROL - Base light fluorescent VIDEO luminaire Manual Operated Stirrup, for lamps 55W. Light intensity control through a standard dimmer output, Colour Frame (4607.100)
4600.240	DE-LUX 120 V 2x55 M.O. PHASE CONTROL - Base light fluorescent VIDEO luminaire Manual Operated Stirrup, for lamps 55W. Light intensity control through a standard dimmer output, Colour Frame (4607.100)
4601.140	DE-LUX 230 V 2x55 P.O. PHASE CONTROL - Base light fluorescent VIDEO luminaire Pole Operated Stirrup, for lamps 55W. Light intensity control through a standard dimmer output, Colour Frame (4607.100)
4601.240	DE-LUX 120 V 2x55 P.O. PHASE CONTROL - Base light fluorescent VIDEO luminaire Pole Operated Stirrup, for lamps 55W. Light intensity control through a standard dimmer output, Colour Frame (4607.100)

PHASE CONTROL VERSIONS - CYCLORAMA - asymmetrical reflectors

4650.140	CYC DE-LUX 230 V 2x55 M.O. PHASE CONTROL - Base light fluorescent VIDEO luminaire Manual Operated Stirrup, for lamps 55W. Light intensity control through a standard dimmer output, Colour Frame (4607.100)
4650.240	CYC DE-LUX 120 V 2x55 M.O. PHASE CONTROL - Base light fluorescent VIDEO luminaire Manual Operated Stirrup, for lamps 55W. Light intensity control through a standard dimmer output, Colour Frame (4607.100)
4651.140	CYC DE-LUX 230 V 2x55 P.O. PHASE CONTROL - Base light fluorescent VIDEO luminaire Pole Operated Stirrup, for lamps 55W. Light intensity control through a standard dimmer output, Colour Frame (4607.100)
4651.240	CYC DE-LUX 120 V 2x55 P.O. PHASE CONTROL - Base light fluorescent VIDEO luminaire Pole Operated Stirrup, for lamps 55W. Light intensity control through a standard dimmer output, Colour Frame (4607.100)

DE LUX 2 – 110 W ACCESSORIES TYPES & MODEL NUMBERS

4605.200	Egg-crate for DE-LUX 2x55W units, 1/4" black honeycomb, NARROW.
4605.210	Egg-crate for DE-LUX 2x55W units, 1/2" black honeycomb, MEDIUM.
4606.200	Eighth leaf Barndoor for DE-LUX 2x55W unit.
4607.100	Colorframe for DE-LUX 2 x 55W units
4600.110.40	Manual Operated Stirrup with B.S. spigot for DE-LUX 2 x 55W units
4600.290.40	Vertical mounting frame including Manual Operated Stirrup with 16 mm. socket for DE-LUX 2 x 55W units
4601.110.40	Pole Operated Stirrup with B.S. spigot for DE-LUX 2 x 55W units
4601.300.40	Pole Operated Stirrup with DIN spigot for DE-LUX 2 x 55W units
DGP-A625B	AVENGER MIDI KIT STAND
OSR-DL5531	Compact fluorescent lamp Dulux L 55W/31 LUMILUX, CRI > 85 (Tungsten RGB)
OSR-DL5532	Compact fluorescent lamp Dulux L 55W/32 LUMILUX, CRI > 95 (Tungsten full spectrum - High Color Rendering index)
OSR-DL5512	Compact fluorescent lamp Dulux L 55W/12 LUMILUX, CRI > 95 (Daylight full spectrum - High Color rendering index)
OSR-SL5532	Compact fluorescent lamp STUDIO-LINE 55W/32, CRI > 95 (3.200° K Tungsten - High Color Rendering index)
OSR-SL5556	Compact fluorescent lamp STUDIO-LINE 55W/56, CRI > 95 (5.600° K Daylight - High Color Rendering index)



SPECIAL DESIGN FEATURES ON DE LUX

Exclusive Optical Design: Why De-Lux beat's the Competition

