



STANDARD SYMMETRICAL VERSIONS

The DE-LUX fixtures have the highest output per aperture and are the most controllable fluorescent fixtures on the market today. The new DE-LUX is a response to the long time needs of the Lighting Industry. Competitive pricing while reducing studio operating costs, without effecting the creativity and artistic freedom of the designer or customer is De Sisti's challenge. The result - The DE-LUX.

DE-LUX fixtures are extremely versatile, and utilize a dual accessory track for loading gel frames and egg crates. The high efficiency optical system does not require the use of intensifiers, reducing the overall dimensions and weight of the fixture.

DE-LUX Versions: Units are available in either manual or pole operated in 3 versions: ANALOG, DMX, PHASE CONTROL, all using High Frequency Electronics. The Analog, DMX and Phase control versions feature a very smooth control curve. The above versions are available for both 120V and 230V voltages.

The DE-LUX fixtures use the 55 watt biax lamps (compact fluorescents) rated for 10,000 hours, which are available in 5600°K daylight or 3200°K tungsten, with different color rendering indexes (RGB or STUDIO-LINE).

CYC ASYMMETRICAL VERSIONS

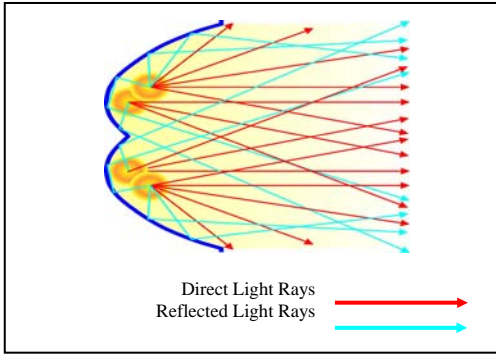
DE LUX Fluorescenta are also available with asymmetrical reflectors, to provide a very uniform and evenlight distribution over a cyclorama cloth or a background.

The above mentioned special optics allows for the CYC DE LUX to be located quite near to the background at the ceiling and yet provide the necessary light uniformity over the area of the cyclorama, without reflecting any coloured light on the actors shoulders.

The combination of the CYC DE LUX for wall lighting and the STANDARD DE LUX, for floor lighting, is an IDEAL package solution for BLUE or GREEN BOX Studios (Chroma Key and Ultimatte applications).



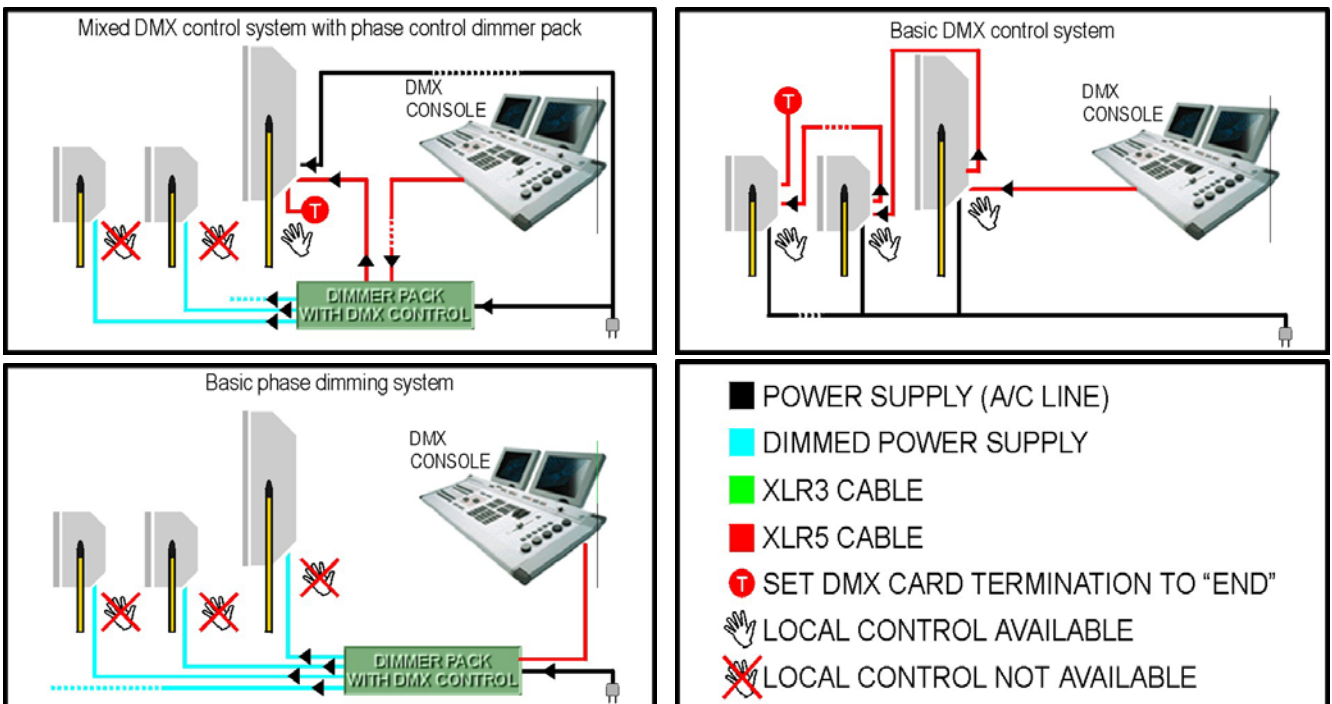
FEATURES



- Lightweight steel housing with low glare black epoxy powder coating.
- High efficiency reflector system eliminates the need for an external intensifier, while reducing the weight, size and cost.
- ANALOG, DMX or PHASE CONTROL versions are available for either 120V or 230V operation.
- Local intensity control available on ANALOG and DMX versions.
- Uses 4 x 55 watt biax lamps (compact fluorescents) rated for 10,000 hours, which are available in 5600°K daylight or 3200°K tungsten, with different color rendering indexes (for instance RGB or STUDIO-LINE).

- Power consumption 220 W
- DE-LUX fixtures are available with either positive lock manual yokes for comfort and ease of handling, or pole operated yokes which can be used via the lighting pole for Panning and Tilting the lights as well as manually, since the mechanical activators are equipped with clutches.
- Custom bracketing systems are available on request for simple configurations of DE-LUX sources. The accessories are secure regardless of the orientation of the fixture. Accessories have been designed for one hand installation.

ELECTRICAL LAYOUTS FOR ANALOG, PHASE CONTROLLED & DMX VERSIONS



Dimming fluorescent lights is necessary to balance the light level of the different sections of the studio. The use of very high frequency ballasts guarantees color temperature stability, flicker-free and noiseless operation. The DE-LUX complies with the very strict specifications of professional users: they are efficient, economical, and easy to set up in locations that may be already equipped with existing dimmer systems. Therefore compatibility with existing installations is not a problem. The DE-LUX Fluorescents are available with several dimming systems to fit the specifications of each installation.

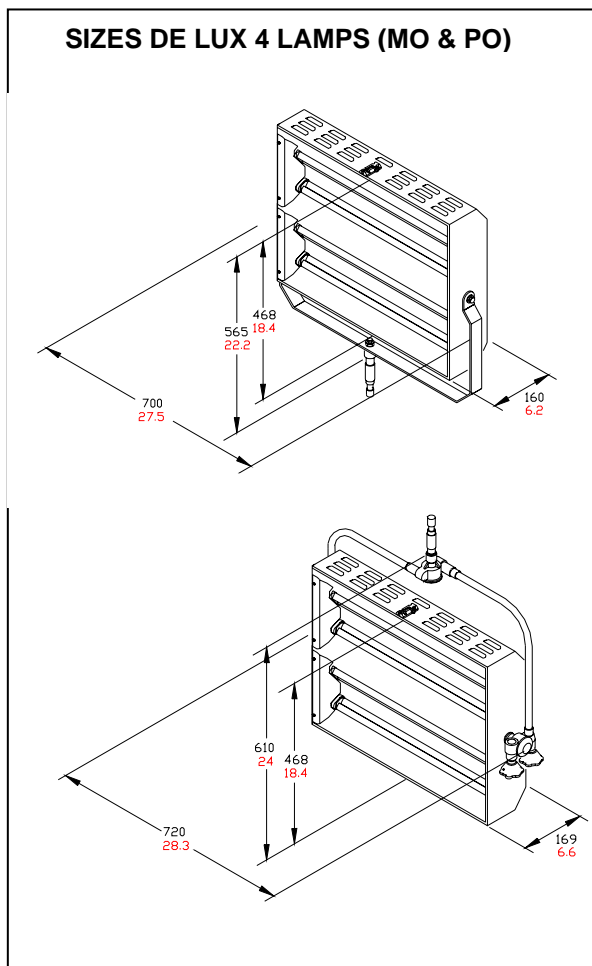
External dimming: The PHASE CONTROL version of the DE-LUX is ideal for studios already equipped with dimmers (please see equivalent riser). It is in fact sufficient to connect the Fixtures to a controlled output, in similarity to the tungsten light sources.

Built-in ballast dimming: This technology eliminates the need (and the cost) of a dimmer. The sources are powered on a standard non dimmed A/C line. They receive a separate control signal that can either be an analog 0 to +10V D.C. for the Analog version or DMX 512 for the DMX version. Therefore it is sufficient to have a lighting console with the relevant output to control the intensity of the DE-LUX. Both ANALOG and DMX versions feature a potentiometer for local control of the light intensity.



CHARACTERISTICS & PERFORMANCE DATA

DESCRIPTION	VALUE	
↻ Amperage - Fuses (all 5x20 slow blow)	Europe – 230 V Amp. (n° lamp- Fuse) 1 A (4 lamps-3,15 A)	America - 120 V Amp. (n° lamp- Fuse) 1,5 A(4 lamps-5A)
↻ Power supply	Europe 230 V / 50 Hz	America 120 V / 60 Hz
↻ Switch on the fixture	Toggle 10A\230V - 6 A (½ Hp) \ 120V	
↻ Lamp Holder	2 G 11	
↻ Power Cable (detachable)	3 x 0,75 mm ² H05VV-F 90°C	
↻ Protection Class	Class 1 – ground connection required	
↻ Protection Type	IP 22	
↻ Max Housing surface temperature	70 °C	
↻ Weight of Fixtures (Kg)	MANUAL OPERATED	POLE OPERATED
	8,5 kg.	9,2 kg.
USABLE LAMPS base-watt-type	Manufacturers – Model	
2G11 - 55 w - SE	OSRAM Dulux/31 RGB	
2G11 - 55 w - SE	OSRAM Dulux/32 FULL SPECTRUM	
2G11 - 55 w - SE	OSRAM Dulux/12 FULL SPECTRUM	
2G11 - 55 w - SE	OSRAM STUDIO LINE 3.200°K	
2G11 - 55 w - SE	OSRAM STUDIO LINE 5.600°K	



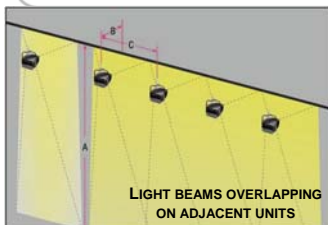
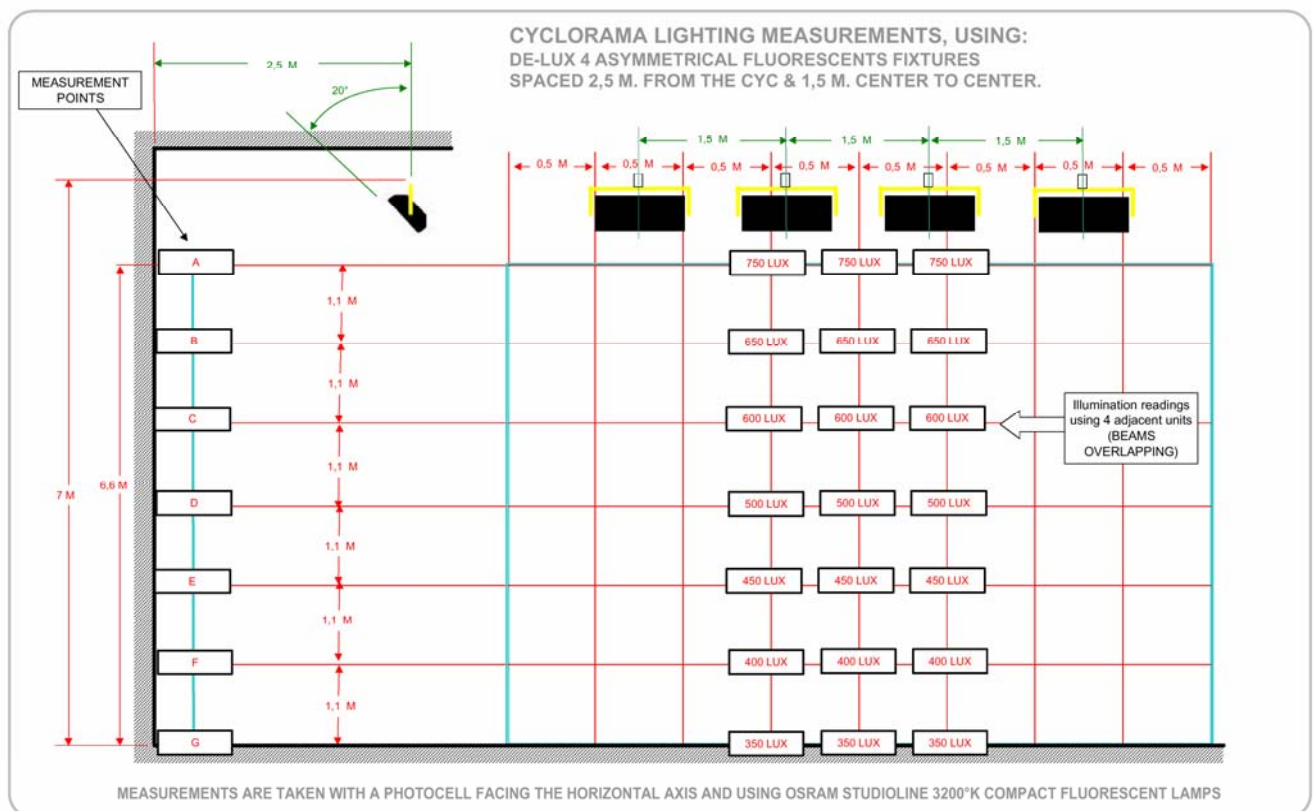
WORKING CONDITIONS

↻ Working Position	Lighting fixture: Max. Tilting ±90° from horizontal			Lamp position: any
↻ Ambient Temperature, t _a	+45° C Max			
↻ Minimum distances from inflammable surfaces	Top	Back	Sides	Front
	0,2 m.	0,2 m.	0,2 m.	0,5 m.

PHOTOMETRIC DATA SYMMETRICAL DE LUX 4

PHOTOMETRIC DATA "DE LUX 4" - 220 WATT									
Values measured with: OSRAM compact fluorescent Lamps (BIAX) Dulux and Studio Line, on DMX 220V DE LUX FIXTURE									
		FEET				METERS			
TYPICAL DISTANCES		10'	15'	20'	25'	3 mt	4,5 mt	6 mt	7,5 mt
LIGHT CENTER VALUES		FOOTCANDLES				LUX			
	Candle Power								
OSRAM Dulux/31 RGB	8.505	85	38	21	14	945	420	236	151
OSRAM Dulux/32 FULL SPECTRUM	6.120	61	27	15	10	680	302	170	109
OSRAM Dulux/1 2 FULL SPECTRUM	6.390	64	28	16	10	710	316	178	114
OSRAM STUDIO LINE 3.200°K	8.793	88	39	22	14	977	434	244	156
OSRAM STUDIO LINE 5.600°K	8.217	82	37	21	13	913	406	228	146
		F. C. AT ANY DISTANCE = Candle Power : [Distance(in ft)] ²				LUX AT ANY DISTANCE = Candle Power : [Distance(in m.)] ²			
BEAM ANGLE (50% of center value) W/O ACCESSORIES:		BEAM SIZE (W x H in feet)				BEAM SIZE (W x H in meters)			
WIDTH	98,0°	23,0'	34,5'	46,0'	57,5'	6,9 mt	10,4 mt	13,8 mt	###
HEIGHT	64,0°	12,5'	18,7'	25,0'	31,2'	3,7 mt	5,6 mt	7,5 mt	9,4 mt
BEAM ANGLE WITH NARROW HONEY COMB:		BEAM SIZE (W x H in feet)				BEAM SIZE (W x H in meters)			
CENTER LIGHT INTENSITY REDUCTIO	25,00%								
WIDTH	33,0°	5,9'	8,9'	11,8'	14,8'	1,8 mt	2,7 mt	3,6 mt	4,4 mt
HEIGHT	27,0°	4,8'	7,2'	9,6'	12,0'	1,4 mt	2,2 mt	2,9 mt	3,6 mt
BEAM ANGLE WITH MEDIUM HONEY COMB:		BEAM SIZE (W x H in feet)				BEAM SIZE (W x H in meters)			
CENTER LIGHT INTENSITY REDUCTIO	22,00%								
WIDTH	48,0°	8,9'	13,4'	17,8'	22,3'	2,7 mt	4,0 mt	5,3 mt	6,7 mt
HEIGHT	37,0°	6,7'	10,0'	13,4'	16,7'	2,0 mt	3,0 mt	4,0 mt	5,0 mt

PHOTOMETRIC DATA ASYMMETRICAL DE LUX 4 FOR CYC LIGHTING



DE LUX 4 – 220 W VERSIONS & MODEL NUMBERS

DMX VERSIONS - standard symmetrical reflectors

4610.110	DE-LUX 230 V 4x55 M.O. DMX - Base light fluorescent VIDEO luminaire Manual Operated Stirrup, for lamps 55W. ON/OFF and light intensity control through a single DMX channel, local control included, Colour Frame (4617.100)
4610.210	DE-LUX 120 V 4x55 M.O. DMX - Base light fluorescent VIDEO luminaire Manual Operated Stirrup, for lamps 55W. ON/OFF and light intensity control through a single DMX channel, local control included, Colour Frame (4617.100)
4611.110	DE-LUX 230 V 4x55 P.O. DMX - Base light fluorescent VIDEO luminaire Pole Operated Stirrup, for lamps 55W. ON/OFF and light intensity control through a single DMX channel, local control included, Colour Frame (4617.100)
4611.210	DE-LUX 120 V 4x55 P.O. DMX - Base light fluorescent VIDEO luminaire Pole Operated Stirrup, for lamps 55W. ON/OFF and light intensity control through a single DMX channel, local control included, Colour Frame (4617.100)

DMX VERSIONS - CYCLORAMA - asymmetrical reflectors

4660.110	CYC DE-LUX 230 V 4x55 M.O. DMX - Base light fluorescent VIDEO luminaire Manual Operated Stirrup, for lamps 55W. ON/OFF and light intensity control through a single DMX channel, local control included, Colour Frame (4617.100)
4660.210	CYC DE-LUX 120 V 4x55 M.O. DMX - Base light fluorescent VIDEO luminaire Manual Operated Stirrup, for lamps 55W. ON/OFF and light intensity control through a single DMX channel, local control included, Colour Frame (4617.100)
4661.110	CYC DE-LUX 230 V 4x55 P.O. DMX - Base light fluorescent VIDEO luminaire Pole Operated Stirrup, for lamps 55W. ON/OFF and light intensity control through a single DMX channel, local control included, Colour Frame (4617.100)
4661.210	CYC DE-LUX 120 V 4x55 P.O. DMX - Base light fluorescent VIDEO luminaire Pole Operated Stirrup, for lamps 55W. ON/OFF and light intensity control through a single DMX channel, local control included, Colour Frame (4617.100)

ANALOGUE VERSIONS - standard symmetrical reflectors

4610.120	DE-LUX 230 V 4x55 M.O. ANALOGUE - Base light fluorescent VIDEO luminaire Manual Operated Stirrup, for lamps 55W. Light intensity control by a local potentiometer, Colour Frame (4617.100)
4610.220	DE-LUX 120 V 4x55 M.O. ANALOGUE - Base light fluorescent VIDEO luminaire Manual Operated Stirrup, for lamps 55W. Light intensity control by a local potentiometer, Colour Frame (4617.100)
4611.120	DE-LUX 230 V 4x55 P.O. ANALOGUE - Base light fluorescent VIDEO luminaire Pole Operated Stirrup, for lamps 55W. Light intensity control by a local potentiometer, Colour Frame (4617.100)
4611.220	DE-LUX 120 V 4x55 P.O. ANALOGUE - Base light fluorescent VIDEO luminaire Pole Operated Stirrup, for lamps 55W. Light intensity control by a local potentiometer, Colour Frame (4617.100)

ANALOGUE VERSIONS - CYCLORAMA - asymmetrical reflectors

4660.120	CYC DE-LUX 230 V 4x55 M.O. ANALOGUE - Base light fluorescent VIDEO luminaire Manual Operated Stirrup, for lamps 55W. Light intensity control by a local potentiometer, Colour Frame (4617.100)
4660.220	CYC DE-LUX 120 V 4x55 M.O. ANALOGUE - Base light fluorescent VIDEO luminaire Manual Operated Stirrup, for lamps 55W. Light intensity control by a local potentiometer, Colour Frame (4617.100)
4661.120	CYC DE-LUX 230 V 4x55 P.O. ANALOGUE - Base light fluorescent VIDEO luminaire Pole Operated Stirrup, for lamps 55W. Light intensity control by a local potentiometer, Colour Frame (4617.100)
4661.220	CYC DE-LUX 120 V 4x55 P.O. ANALOGUE - Base light fluorescent VIDEO luminaire Pole Operated Stirrup, for lamps 55W. Light intensity control by a local potentiometer, Colour Frame (4617.100)

PHASE CONTROL VERSIONS - standard symmetrical reflectors

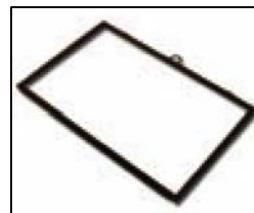
4610.140	DE-LUX 230 V 4x55 M.O. PHASE CONTROL - Base light fluorescent VIDEO luminaire Manual Operated Stirrup, for lamps 55W. Light intensity control through a standard dimmer output, Colour Frame (4617.100)
4610.240	DE-LUX 120 V 4x55 M.O. PHASE CONTROL - Base light fluorescent VIDEO luminaire Manual Operated Stirrup, for lamps 55W. Light intensity control through a standard dimmer output, Colour Frame (4617.100)
4611.140	DE-LUX 230 V 4x55 P.O. PHASE CONTROL - Base light fluorescent VIDEO luminaire Pole Operated Stirrup, for lamps 55W. Light intensity control through a standard dimmer output, Colour Frame (4617.100)
4611.240	DE-LUX 120 V 4x55 P.O. PHASE CONTROL - Base light fluorescent VIDEO luminaire Pole Operated Stirrup, for lamps 55W. Light intensity control through a standard dimmer output, Colour Frame (4617.100)

PHASE CONTROL VERSIONS - CYCLORAMA - asymmetrical reflectors

4660.140	CYC DE-LUX 230 V 4x55 M.O. PHASE CONTROL - Base light fluorescent VIDEO luminaire Manual Operated Stirrup, for lamps 55W. Light intensity control through a standard dimmer output, Colour Frame (4617.100)
4660.240	CYC DE-LUX 120 V 4x55 M.O. PHASE CONTROL - Base light fluorescent VIDEO luminaire Manual Operated Stirrup, for lamps 55W. Light intensity control through a standard dimmer output, Colour Frame (4617.100)
4661.140	CYC DE-LUX 230 V 4x55 P.O. PHASE CONTROL - Base light fluorescent VIDEO luminaire Pole Operated Stirrup, for lamps 55W. Light intensity control through a standard dimmer output, Colour Frame (4617.100)
4661.240	CYC DE-LUX 120 V 4x55 P.O. PHASE CONTROL - Base light fluorescent VIDEO luminaire Pole Operated Stirrup, for lamps 55W. Light intensity control through a standard dimmer output, Colour Frame (4617.100)

DE LUX 4 – 220 W ACCESSORIES TYPES & MODEL NUMBERS

4615.200	Egg-crate for DE-LUX 4x55W units, 1/4" black honeycomb, NARROW.
4615.210	Egg-crate for DE-LUX 4x55W units, 1/2" black honeycomb, MEDIUM.
4616.200	Eighth leaf Barndoor for DE-LUX 4x55W unit.
4617.100	Colorframe for DE-LUX 4 x 55W units
4610.110.40	Manual Operated Stirrup with B.S. spigot for DE-LUX 4 x 55W units
4610.300.40	Manual Operated Stirrup with DIN spigot for DE-LUX 4 x 55W units
4611.110.40	Pole Operated Stirrup with B.S. spigot for DE-LUX 4 x 55W units
4611.300.40	Pole Operated Stirrup with DIN spigot for DE-LUX 4 x 55W units
DGP-A110	Combo stand with lazy leg with 29 mm. Socket (1 1/8") and 16 mm. Spigot (5/8")
DGP-A9000	Caster set diam. 100 mm. braked
OSR-DL5531	Compact fluorescent lamp Dulux L 55W/31 LUMILUX, CRI > 85 (Tungsten RGB)
OSR-DL5532	Compact fluorescent lamp Dulux L 55W/32 LUMILUX, CRI > 95 (Tungsten full spectrum - High Color Rendering index)
OSR-DL5512	Compact fluorescent lamp Dulux L 55W/12 LUMILUX, CRI > 95 (Daylight full spectrum - High Color rendering index)
OSR-SL5532	Compact fluorescent lamp STUDIO-LINE 55W/32, CRI > 95 (3.200° K Tungsten - High Color Rendering index)
OSR-SL5556	Compact fluorescent lamp STUDIO-LINE 55W/56, CRI > 95 (5.600° K Daylight - High Color Rendering index)



SPECIAL DESIGN FEATURES ON DE LUX

Exclusive Optical Design: Why De-Lux beat's the Competition

