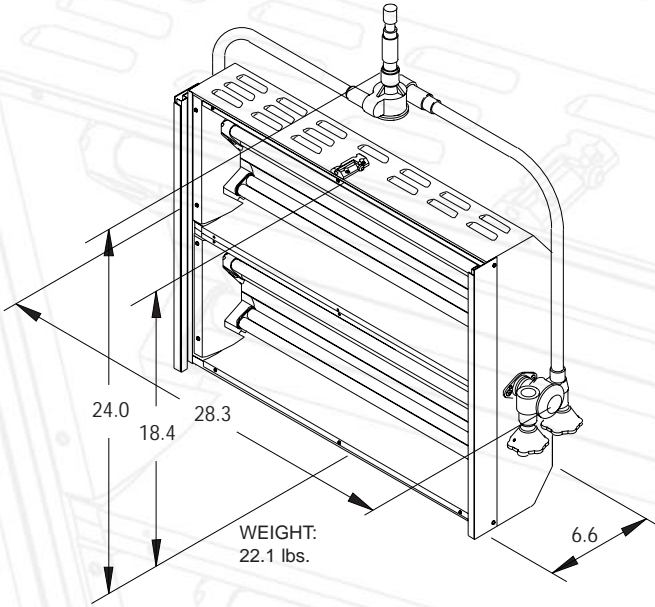
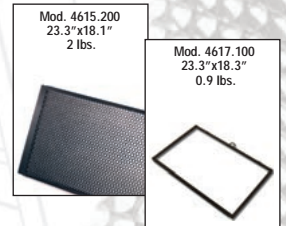


DE LUX 4



Mod. 4611

PHOTOMETRIC DATA "DE LUX 4" 220 W					
Values measured with OSRAM Compact fluorescent lamps Dulux and Studio Line, on DMX 220V DE LUX					
FEET					
	TYPICAL DISTANCES	10'	15'	20'	25'
LIGHT CENTER VALUES	Candle Power	FOOTCANDLES			
OSRAM Dulux/31 RGB	8,505	85	38	21	14
OSRAM Dulux/32 Full Spectrum	6,120	61	27	15	10
OSRAM Dulux/12 Full Spectrum	6,390	64	28	16	10
OSRAM Studio Line 3200° K	8,793	88	39	22	14
OSRAM Studio Line 5600° K	8,217	82	37	21	13
F.C. at any distance = CANDLE POWER : [Distance (in ft)] ²					
BEAM ANGLE (50% OF CENTER VALUE)		BEAM SIZE (W x H in feet)			
WIDTH w/o accessories	106°	26.5'	39.8'	53.1'	66.4'
HEIGHT w/o accessories	60°	11.5'	17.3'	23.1'	28.9'
WIDTH with Honeycomb	31°	5.5'	8.3'	11.1'	13.9'
HEIGHT with Honeycomb	31°	5.5'	8.3'	11.1'	13.9'



Mod. 4610

