

FUJINON
FUJIFILM

HA PREMIER

HD Series



Stunning images...exceptional performance.

HD
DIGITAL

HA PREMIER HD Series

Fujinon's Premier Series lenses are designed to complement and enhance the quality of the worlds most advanced 2/3 inch HDTV cameras. Great consideration in the design and development of these high-end HD lenses has been taken to incorporate the highest optical and mechanical specifications while ensuring unmatched performance in the most rugged of production environments.



HA13x4.5BE RM/RD*

Zoom Ratio / Format	13X / 2/3"	
Focal Length	4.5 to 59 mm	
Extender	(2X) 9 to 118 mm	
Maximum Relative Aperture	1:1.8 (4.5 ~ 41 mm)	
Maximum Photometric Aperture T-No.	1:2.0 (4.5 ~ 41 mm)	
Angular Field of View	4.5 mm	93° 38' x 61° 50'
16:9 Aspect Ratio	59 mm	9° 18' x 5° 14'
	(2X) 9 mm	56° 06' x 33° 20'
	118 mm	4° 39' x 2° 37'
M.O.D. from Image Plane	0.59 m	
M.O.D. from Front of Lens	0.3 m	
Object Dimensions at M.O.D.	4.5 mm	757 x 420 mm
	59 mm	55 x 31 mm
	(2X) 9 mm	373 x 210 mm
	118 mm	28 x 16 mm
Filter Size	ø 127 mm P=0.75 (In Hood)	
Dia ø x Length (w/o Hood)	ø95 x 238.5 mm	
Weight (w/o Hood)	1.98 kg (RM) / 2.05 kg (RD)*	
Options	Ratio Converter / 16 Bit Encoder	
Features	Inner Focus / Zoom Limit / Quick Zoom	

WIDE POWER

WIDE POWER

QuickZoom



HA16x6.3BE RM/RD*

Zoom Ratio / Format	16X / 2/3"	
Focal Length	6.3 to 101 mm	
Extender	(2X) 12.6 to 202 mm	
Maximum Relative Aperture	1:1.8 (6.3 ~ 63 mm)	
Maximum Photometric Aperture T-No.	1:1.9 (6.3 ~ 63 mm)	
Angular Field of View	6.3 mm	74° 33' x 46° 19'
16:9 Aspect Ratio	101 mm	4° 00' x 3° 03'
	(2X) 12.6 mm	41° 40' x 24° 09'
	202 mm	2° 43' x 1° 32'
M.O.D. from Image Plane	0.69 m	
M.O.D. from Front of Lens	0.4 m	
Object Dimensions at M.O.D.	6.3 mm	712 x 400 mm
	101 mm	45 x 25 mm
	(2X) 12.6 mm	356 x 200 mm
	202 mm	22 x 13 mm
Filter Size	ø 107 mm P=1 (In Hood)	
Dia ø x Length (w/o Hood)	ø95 x 238.5 mm	
Weight (w/o Hood)	1.98 kg / 2.05 kg*	
Options	16 Bit Encoder	
Features	Inner Focus / Zoom Limit / Quick Zoom	

WIDE POWER

QuickZoom



HA18x7.6BE RM/RD*

Zoom Ratio / Format	18X / 2/3"	
Focal Length	7.6 to 137 mm	
Extender	(2X) 15.2 to 274 mm	
Maximum Relative Aperture	1:1.8 (7.6 ~ 103 mm)	
Maximum Photometric Aperture T-No.	1:1.9 (7.6 ~ 105 mm)	
Angular Field of View	7.6 mm	64° 30' x 39° 03'
16:9 Aspect Ratio	137 mm	4° 01' x 2° 15'
	(2X) 15.2 mm	35° 01' x 20° 07'
	274 mm	2° 00' x 1° 08'
M.O.D. from Image Plane	0.87 m	
M.O.D. from Front of Lens	0.6 m	
Object Dimensions at M.O.D.	7.6 mm	738 x 415 mm
	137 mm	41 x 23 mm
	(2X) 15.2 mm	384 x 196 mm
	274 mm	21 x 12 mm
Filter Size	ø 82 mm P=0.75 (On Barrel)	
Dia ø x Length (w/o Hood)	ø85 x 204 mm	
Weight (w/o Hood)	1.58 kg / 1.65 kg*	
Options	Ratio Converter / 16 Bit Encoder	
Features	Inner Focus / Zoom Limit / Quick Zoom	

WIDE POWER

QuickZoom



HAs18x7.6B RM/RD*

Zoom Ratio / Format	18X / 2/3"	
Focal Length	7.6 to 137 mm	
Maximum Relative Aperture	1:1.8 (7.6 ~ 103 mm)	
Maximum Photometric Aperture T-No.	1:2.4 (137 mm)	
Angular Field of View	7.6 mm	64° 30' x 39° 03'
16:9 Aspect Ratio	137 mm	4° 01' x 2° 15'
M.O.D. from Image Plane	0.84 m	
M.O.D. from Front of Lens	0.6 m	
Object Dimensions at M.O.D.	7.6 mm	738 x 415 mm
	137 mm	41 x 23 mm
Filter Size	ø 82 mm P=0.75 (On Barrel)	
Dia ø x Length (w/o Hood)	ø85 x 204 mm	
Weight (w/o Hood)	1.26 kg / 1.33 kg*	
Options	16 Bit Encoder	
Features	Inner Focus / Zoom Limit / Quick Zoom	

WIDE POWER

QuickZoom



HA22x7.3BE RM/RD*

Zoom Ratio / Format	22X / 2/3"	
Focal Length	7.3 to 161 mm	
Extender	(2X) 14.6 to 322 mm	
Maximum Relative Aperture	1:1.9 (7.3 ~ 113 mm)	
Maximum Photometric Aperture T-No.	1:2.0 (7.3 ~ 113 mm)	
Angular Field of View	7.3 mm	66° 36' x 40° 32'
16:9 Aspect Ratio	161 mm	3° 25' x 1° 55'
	(2X) 14.6 mm	36° 22' x 20° 55'
	322 mm	1° 42' x 0° 58'
M.O.D. from Image Plane	1.18 m	
M.O.D. from Front of Lens	0.85 m	
Object Dimensions at M.O.D.	7.3 mm	1222 x 687 mm
	161 mm	55 x 31 mm
	(2X) 14.6 mm	609 x 342 mm
	322 mm	28 x 16 mm
Filter Size	ø 127 mm P=0.75 (On Hood)	
Dia ø x Length (w/o Hood)	ø110 x 287.3 mm	
Weight (w/o Hood)	3.15 kg / 3.22 kg*	
Options	Ratio Converter / 16 Bit Encoder	
Features	Inner Focus / Quick Zoom / Zoom Limit	

WIDE POWER

QuickZoom



HA23x7.6BE RM/RD*

Zoom Ratio / Format	23X / 2/3"	
Focal Length	7.6 to 175 mm	
Extender	(2X) 15.2 to 350 mm	
Maximum Relative Aperture	1:1.8 (7.6 ~ 122 mm)	
Maximum Photometric Aperture T-No.	1:2.65 (175 mm)	
Angular Field of View	7.6 mm	64° 30' x 39° 03'
16:9 Aspect Ratio	175 mm	3° 08' x 1° 46'
	(2X) 15.2 mm	35° 01' x 19° 36'
	350 mm	1° 34' x 0° 53'
M.O.D. from Image Plane	1.07 m	
M.O.D. from Front of Lens	0.8 m	
Object Dimensions at M.O.D.	7.6 mm	952 x 535 mm
	175 mm	41 x 23 mm
	(2X) 15.2 mm	476 x 268 mm
	350 mm	21 x 12 mm
Filter Size	ø 95m P=1 (On Barrel) ø 107m P=1 (In Hood)	
Dia ø x Length (w/o Hood)	ø100 x 223.6 mm	
Weight (w/o Hood)	1.8 kg (RM) / 1.87 kg (RD)	
Options	Ratio Converter / 16 Bit Encoder	
Features	Inner Focus / Zoom Limit / Quick Zoom	

NEW

WIDE POWER

QuickZoom

*RD contain servos for zoom and focus.

HA PREMIER HD Series



HA25x11.5BE RD*

Zoom Ratio/Format	25X / 2/3"	
Focal Length	11.5 to 288 mm	
Extender	(2X) 23 to 576 mm	
Maximum Relative Aperture	1:2.0 (11.5 ~ 206 mm)	
Aperture	1:2.8 (288 mm)	
Maximum Photometric Aperture T-No.	1:2.1 (11.5 ~ 206 mm)	
Aperture T-No.	1:2.9 (288 mm)	
Angular Field of View	11.5 mm	45° 16' x 26° 23'
16:9 Aspect Ratio	288 mm	1° 54' x 1° 04'
	(2X) 23 mm	23° 33' x 13° 22'
	576 mm	0° 57' x 0° 32'
M.O.D. from Image Plane	2.51 m	
M.O.D. from Front of Lens	2.2 m	
Object Dimensions at M.O.D.	11.5 mm	1740 x 978 mm
	288 mm	70 x 39 mm
	(2X) 23 mm	870 x 489 mm
	576 mm	35 x 20 mm
Filter Size	ø 107mm P=1 (On Barrel)	
Dia ø x Length (w/o Hood)	ø110 x 265 mm	
Weight (w/o Hood)	2.8 kg	
Features	Inner Focus / Quick Zoom / Inner Focus	



QuickZoom



HA25x16.5BE RD*

Zoom Ratio / Format	25X / 2/3"	
Focal Length	16.5 to 413 mm	
Extender	(2X) 33 to 826 mm	
Maximum Relative Aperture	1:2.8 (16.5 ~ 289 mm)	
Aperture	1:4.0 (413 mm)	
Maximum Photometric Aperture T-No.	1:2.9 (16.5 ~ 289 mm)	
Aperture T-No.	1:4.2 (413 mm)	
Angular Field of View	16.5 mm	32° 25' x 18° 33'
16:9 Aspect Ratio	413 mm	1° 20' x 0° 45'
	(2X) 33 mm	16° 32' x 9° 20'
	826 mm	0° 40' x 0° 22'
M.O.D. from Image Plane	2.52 m	
M.O.D. from Front of Lens	2.2 m	
Object Dimensions at M.O.D.	16.5 mm	1213 x 682 mm
	413 mm	49 x 27 mm
	(2X) 33 mm	606 x 341 mm
	826 mm	24 x 14 mm
Filter Size	ø 107mm P=1 (On Barrel)	
Dia ø x Length (w/o Hood)	ø110 x 278 mm	
Weight (w/o Hood)	2.9 kg	
Features	Quick Zoom / Zoom Limit	



QuickZoom



HA42x9.7BE RD*

Zoom Ratio / Format	42X / 2/3"	
Focal Length	9.7 ~ 410 mm	
Extender	(2X) 19.4 ~ 820 mm	
Maximum Relative Aperture	1:2.0 (9.7 ~ 225 mm)	
Aperture	1:3.7 (410 mm)	
Maximum Photometric Aperture T-No.	1:2.2 (9.7 ~ 225 mm)	
Aperture T-No.	1:4.0 (410 mm)	
Angular Field of View	9.7 mm	52° 37' x 31° 03'
16:9 Aspect Ratio	410 mm	1° 20' x 0° 45'
	(2X) 19.4 mm	27° 46' x 15° 49'
	820 mm	0° 40' x 0° 23'
M.O.D. from Image Plane	3.18 m	
M.O.D. from Front of Lens	2.8 m	
Object Dimensions at M.O.D.	9.7 mm	2619 x 1472 mm
	410 mm	64 x 36 mm
	(2X) 19.4 mm	1339 x 753 mm
	820 mm	33 x 19 mm
Filter Size	ø 127 mm P=0.75 (On Barrel)	
Dia ø x Length (w/o Hood)	ø130 x 338.5 mm	
Weight (w/o Hood)	5.3 kg	
Options	Built In OS-TECH	
Features	Inner Focus / Zoom Limit Built In OS-TECH / Quick Zoom	

OS-TECH



QuickZoom



HA42x13.5BE RD*

Zoom Ratio / Format	42X / 2/3"	
Focal Length	13.5 ~ 570 mm	
Extender	(2X) 27 ~ 1140 mm	
Maximum Relative Aperture	1:2.8 (13.5 ~ 307 mm)	
Aperture	1:5.2 (570 mm)	
Maximum Photometric Aperture T-No.	1:3.0 (13.5 ~ 307 mm)	
Aperture T-No.	1:5.6 (570 mm)	
Angular Field of View	13.5 mm	39° 07' x 22° 35'
16:9 Aspect Ratio	570 mm	0° 58' x 0° 33'
	(2X) 27 mm	20° 08' x 11° 24'
	1140 mm	0° 29' x 0° 16'
M.O.D. from Image Plane	3.2 m	
M.O.D. from Front of Lens	2.8 m	
Object Dimensions at M.O.D.	13.5 mm	1888 x 1061 mm
	570 mm	45 x 25 mm
	(2X) 27 mm	944 x 530 mm
	1140 mm	22 x 13 mm
Filter Size	ø 127 mm P=0.75 (On Barrel)	
Dia ø x Length (w/o Hood)	ø130 x 358.5 mm	
Weight (w/o Hood)	5.4 kg	
Options	Built In OS-TECH	
Features	Inner Focus / Zoom Limit Built In OS-TECH / Quick Zoom	

OS-TECH



QuickZoom



Precision Focus



HA13x4.5BRD

Zoom Ratio / Format	13X / 2/3"	
Focal Length	4.5 to 59 mm	
Maximum Relative Aperture	1:1.8 (4.5 ~ 41 mm)	
Aperture	1:2.6 (59 mm)	
Maximum Photometric Aperture T-No.	1:2.3 (4.5 ~ 41 mm)	
Aperture T-No.	1:3.3 (59 mm)	
Angular Field of View	4.5 mm	93° 38' x 61° 50'
16:9 Aspect Ratio	59 mm	9° 18' x 5° 14'
M.O.D. from Image Plane	0.60 m	
M.O.D. from Front of Lens	0.30 m	
Object Dimensions at M.O.D.	4.5 mm	757 x 425 mm
	59 mm	55 x 31 mm
Dia ø x Length (w/o Hood)	ø95 x 256.1 mm	
Weight (w/o Hood)	2.7kg	
Features	Inner Focus / Zoom Limit	



HA22x7.3BRD

Zoom Ratio / Format	22X / 2/3"	
Focal Length	7.3 to 161 mm	
Maximum Relative Aperture	1:1.9 (7.3 ~ 113 mm)	
Aperture	1:2.7 (161 mm)	
Maximum Photometric Aperture T-No.	1:2.3 (7.3 ~ 113 mm)	
Aperture T-No.	1:3.3 (161 mm)	
Angular Field of View	7.3 mm	66° 36' x 40° 32'
16:9 Aspect Ratio	161 mm	3° 25' x 1° 55'
M.O.D. from Image Plane	1.19 m	
M.O.D. from Front of Lens	0.85 m	
Object Dimensions at M.O.D.	7.3 mm	1222 x 687 mm
	161 mm	55 x 31 mm
Dia ø x Length (w/o Hood)	ø110 x 300.2 mm	
Weight (w/o Hood)	3.9 kg	
Features	Inner Focus / Zoom Limit	



*RD contain servos for zoom and focus.

FEATURES & FUNCTIONS

DIGIPOWER

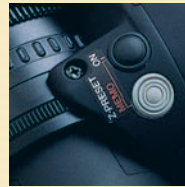
In order to enhance the newest optical design technology, Fujinon has developed the digital servo control system DIGI POWER offering advanced performance of its zoom lenses. In addition to improved specification and performance the utilization of digital circuitry in our DIGI POWER product line has made many new features available that were virtually impossible in the past. DIGI POWER lenses provide for vastly improved accuracy and repeatability over previous designs and enable custom control parameters to be memorized for individual camera operator's preferences. An optional 16 bit processor for zoom, focus and iris is available for applications requiring a high degree of accuracy.

QUICKZOOM

QUICKZOOM speed is .07 sec. from end to end. QUICKZOOM provides a rapid zoom movement to the telephoto position to check focus by the simple push of a button. Releasing the button returns the lens to the previously selected zoom position. Furthermore, by setting the switch, QUICKZOOM can be performed remotely from zoom rate demand units.

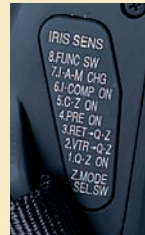
ONE SHOT PRESET

Zoom and focus can be preset and memorized in advance at a selected position. One touch of the switch during shooting will instantly return to the memorized position for time saving production.



ZOOM MODE SELECT

A zoom mode switch provides the option to change the zoom response from "normal" to more sensitive on the wide or telephoto side. With the 3-zoom mode (10-zoom mode on ENG/EFP) the user can select the most suitable fine touch. These zooming mode settings are ideal when switching between productions such as drama and sports.



ZOOM LIMIT

The zoom limit function can be used in the servo operational mode. By using this function, the zoom movement toward both the wide side and the telephoto side can be



limited. An override switch quickly returns the lens to normal mode.

Standard on DIGIPOWER ENG/EFP lenses

AUTO-CRUIZING ZOOM

Pressing the C-Z button while zooming will fix the zoom speed at the existing rate. Pressing the seesaw switch a second time slightly will return the zoom speed to normal.

Standard on DIGIPOWER ENG/EFP lenses

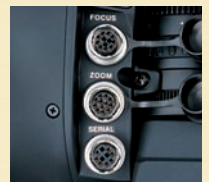
ZOOM MAXIMUM SPEED ADJUSTMENT

The maximum zooming speed obtained when pressing the seesaw switch to the end can be adjusted.



16 BIT ACCURACY FOR REMOTE CONTROL

Remote control of zoom, focus and iris for all DIGI POWER lenses is possible via 13 bit serial digital connection. Optional 16 bit processing is available for more accurate positioning in virtual studios and other applications.



ACCESSORY COMPATIBILITY

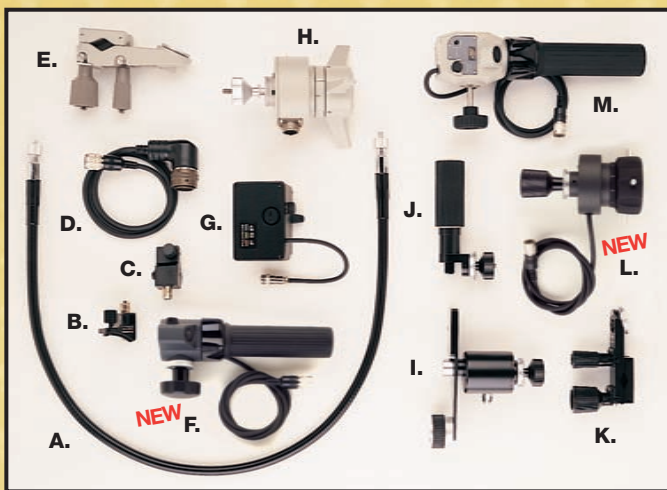
Analog control accessories can be used with the DIGI POWER lens.

(Some functions may be limited.)

1. Frame your shot. **2.** Press Q-Z button. **3.** Lens automatically zooms in. Check focus and release Q-Z button. **4.** Lens zooms back to original frame in full focus.

QuickZoom

ACCESSORIES

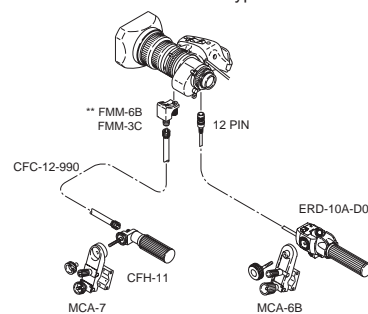


- A. CFC-990 Flex Cable
- B. FMM-6B Focus Manual Module
- C. ZMM-6 Zoom Manual Module
- D. ESF-1 Focus Cable
- E. MCA-6 Mounting Clamp
- F. ERD-20A-A02 Zoom Demand
- G. FSP-13G Focus Positional Module
- H. EPD-4A-E02 Digi Focus Demand
- I. CZH-14 Zoom Handle
- J. CFH-11 Focus Handle
- K. MCA-7 Mounting Clamp
- L. EPD-20A-A01/A02 Focus Demand
- M. ERD-10A-D01 Digi Zoom Demand

DIGI POWER REAR CONTROL

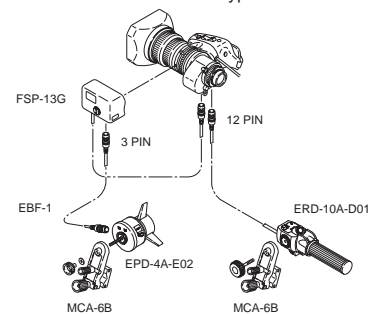
MS-11D Manual Focus/Servo Zoom

For use with RM/ZM type lenses.



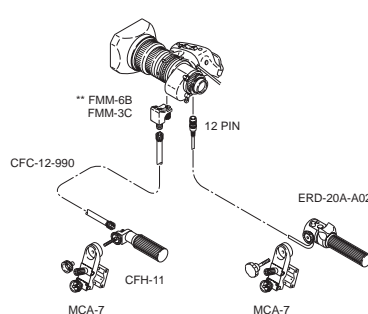
SS-11D Servo Focus/Servo Zoom

For use with RM/ZM type lenses.

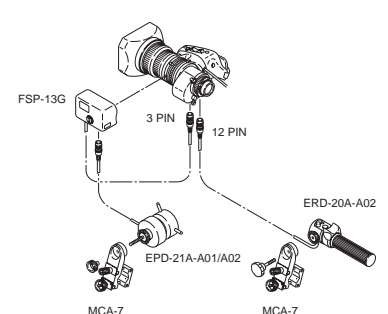


STANDARD REAR CONTROL

MS-11 Manual Focus/Servo Zoom



SS-11 Servo Focus/Servo Zoom



** FMM-3C for use on HA25x and HA42x

PRECISION FOCUS LENSES



PF-BUILT-IN LENSES

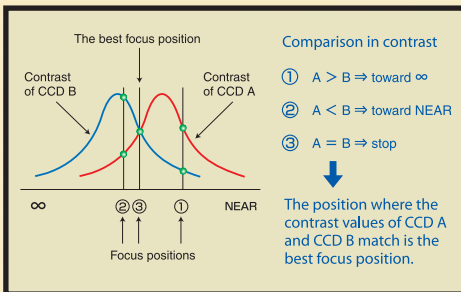
Fujinon's Precision Focus Assist enables camera operators the ability to ensure fast accurate

focusing of high definition images under varying conditions. The PF system is the first to incorporate Fujinon's patented system which utilizes a unique contrast method of achieving precise focus.

FEATURES AND FUNCTIONS

Contrast focusing method

The Precision Focus System adopts a contrast method that utilizes differences in optical path length. It can instantly focus the image without searching for focus and can maintain precise focus even when following moving objects.



CCD A and CCD B are built into the lens barrel to detect the focusing conditions and are positioned at equal distances before and after the camera image-forming plane.

CAN BE MOUNTED ON ANY 2/3" CAMERA

The PF function is built into the lens and can be operational with the lens mounted on a 2/3" camera with no additional settings or optional devices. Camera software provides additional viewfinder information on some cameras.

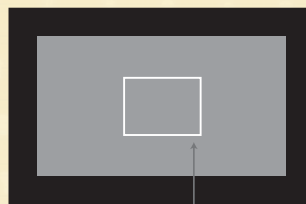
FOCUS MODE SELECTION

The momentary mode provides for PF function only when pressing the button or the continuous mode may be selected for continuous PF function. These two modes of operation provide precise focusing according to the shooting situation, whether a still or moving image.

FOCUS AREA SETTING

When the PF lens is mounted on a camera, a focus area is shown on the viewfinder. The size and the position of the focus area can be changed at the camera operator's discretion. This function allows greater flexibility in the selection of the focus area depending on the type of production.

Camera viewfinder image



User selectable



Fujinon's exclusive Precision Focus Assist is now in the fourth generation and features improved focusing response, lower light loss and reduced size. The PF system is the only focusing system that can maintain focus at any zoom position from the narrowest to the widest angle.

USER FRIENDLY PF CONTROLLER

The new focus controller for Fujinon's exclusive Precision Focus Assist provides operators with a simple to use yet powerful tool to maintain precise focus in the most demanding production situations.

The familiar manual type focus controller has been adapted to encompass all of the precise servo features of the PF lens.

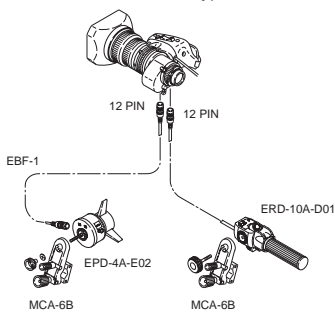


EPA-S23 Kit, except for PF19A-02A as shown.

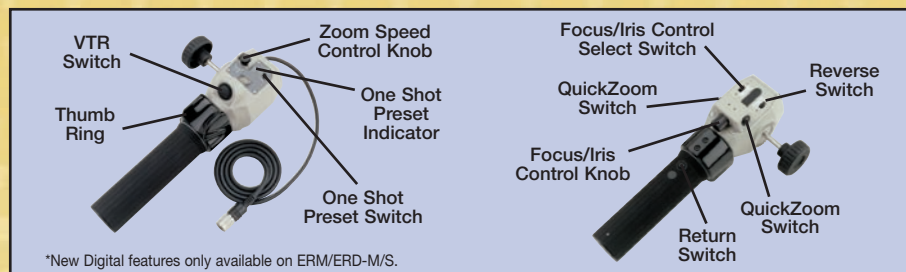
KITS

SS-13D Servo Focus/Servo Zoom

For use with RD/ZD type lenses.



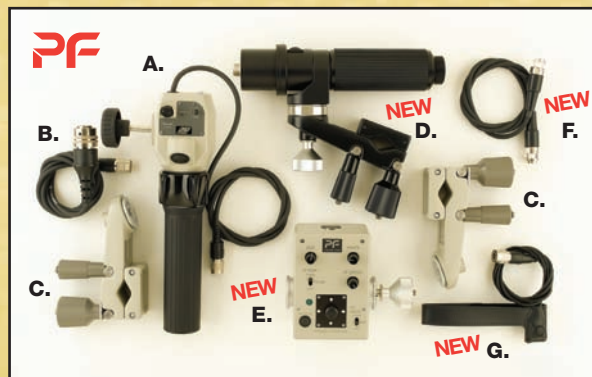
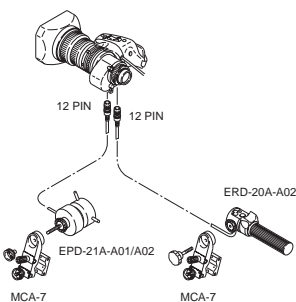
DIGI ZOOM DEMAND – ERD-10A-D01



*New Digital features only available on ERM/ERD-M/S.

KITS

SS-13A Servo Focus/Servo Zoom

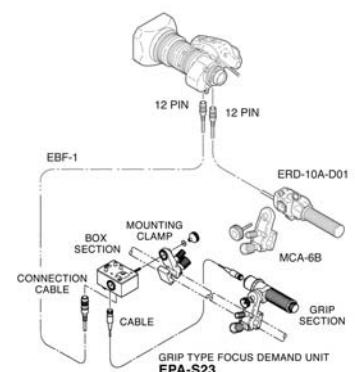


- A. ERD-10A-D01 Digi Zoom Demand
- B. EBF-1 Focus Cable
- C. MCA-6B Mounting Clamp
- D. EPA-S23 PF Control Kit Part (A) Focus Grip Section
- E. EPA-S23 PF Control Kit Part (B) Focus Box Section
- F. EPA-S23 PF Control Kit Part (C) Focus Connection Cable
- G. PF-19A-02A PF Action Switch

PF REAR CONTROL KIT

SS-13PF Servo Focus/Servo Zoom

For use with PF ENG lenses.



*Other options available. Call for details.

HD/ENG LENS CONVERTERS



Wide Converter
(WCV)



Tele Converter
(TCV)

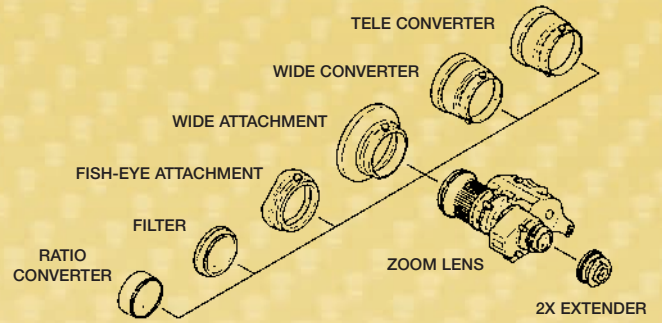


Wide Attachment
(WAT)



Fish-Eye Attachment
(F-AT)

Model	Type	ø Size	Converter*	Mag.	Converted Focal Length (mm)	M.O.D. (m)	Weight (kg)
HA16x6.3	TELE	95 mm	TCV-H955	1.5x	101.0→152.0	0.90	1.00
	WIDE	95 mm	WCV-H95	0.8x	6.3→5.4	0.29	1.00
HA18x7.6E/ HAs18x7.6	TELE	85 mm	TCV-H85	1.5x	137.0→205.5	1.35	1.10
	WIDE	85 mm	WCV-H85	0.8x	7.6→6.1	0.38	1.05
	WIDE	85 mm	WAT-H85	0.7x	7.6→5.3	-	0.36
	FISHEYE	85 mm	F-ATH85	0.57x	-	-	0.36
HA22x7.3E	TELE	110 mm	TCV-H110	1.5x	161.0→242.0	1.90	1.10
HA23x7.6E	TELE	100 mm	TCV-H100	1.5x	175.0→262.5	1.80	1.00
	WIDE	100 mm	WCV-H100	0.8x	7.6→6.1	0.51	1.05
	WIDE	100 mm	WAT-H100	0.7x	7.6→5.3	0.39	0.53
	FISHEYE	100 mm	F-ATH100	0.57x	7.6→4.3	0.26	0.63



*TCV/WCV are zoom thru type **ø 95mm P-1 screw on type
Wide attachment and fisheye attachment can be used at WIDE END.
Number of M.O.D. is at wide end.

FUJINON FUJIFILM

Broadcast & Communications Products Division

FUJINON HEADQUARTERS:

NEW JERSEY - SALES & SERVICE CENTER

10 High Point Drive, Wayne, NJ 07470-7434
(973) 633-5600 FAX: (973) 633-5216
E-mail: lens.sales@fujinon.com
www.fujinon.com

SOUTH EAST

FLORIDA - SALES

4101 No. 48th Terrace, Hollywood, FL 33021
(954) 966-0484 FAX: (954) 966-1368
E-mail: kelly.n@fujinon.com

GEORGIA - SALES

12296 S. Main Street, Box 152, Trenton, GA 30752
(706) 657-8481 FAX: (706) 657-8438
E-mail: susan.t@fujinon.com

GEORGIA - SERVICE CENTER

1231 Collier Road, Suite G, Atlanta, GA 30318
(404) 351-1470 FAX: (404) 351-7035
E-mail: wzeferino@fujinon.com

LATIN AMERICA

FLORIDA - SALES

2900 N.W. 112th Avenue, Suite 1, Miami, FL 33172
(305) 406-2910 FAX: (305) 406-9903
E-mail: mario@fujinon.com or yukio.ito@fujinon.com

MIDWEST

ILLINOIS - SALES

655 Deerfield Road, Ste. 100, #206, Deerfield, IL 60015-3241
(847) 945-8923 FAX: (847) 945-8943
E-mail: atanielian@fujinon.com

SOUTH CENTRAL

TEXAS - SALES & SERVICE CENTER

4951 Airport Parkway, Ste. 802-A, Addison, TX 75001-6617
(972) 385-8902 FAX: (972) 392-3251
E-mail: dave.w@fujinon.com

WEST

CALIFORNIA - SALES & SERVICE CENTER

W. Bay Business Park, 2621 Manhattan Beach Blvd.
Redondo Beach, CA 90278-1604
(310) 536-0800 FAX: (310) 536-0022
E-mail: ndlt@fujinon.com

WASHINGTON - SALES

P.O. Box 36, Mercer Island, WA 98040
(206) 230-0237 FAX: (206) 230-0240
E-mail: josh.ewing@fujinon.com

CANADA

ONTARIO - SALES

16715 Yonge Street, Unit #12, Suite 203
Newmarket, ON, L3X 1X4, Canada
(905) 898-1382 FAX: (905) 898-3350
E-mail: stosh.durbacz@fujinon.com

FUJINON CORPORATION

JAPAN

1-324 Uetake, Kita-Ku, Saitama City
Saitama 331-9624 Japan
Phone: 81-48-668-2152 FAX: 81-48-651-8517
E-mail: sales@msv.fujinon.co.jp
www.fujinon.co.jp