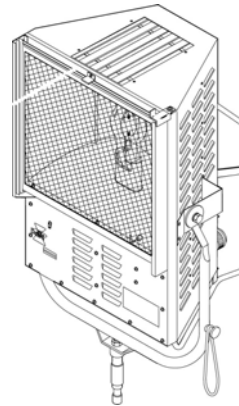




Goya® 2500/4000w HMI Broadlight

2740 Series



SPECIFICATIONS

Daylight Discharge HMI Broadlight

PHYSICAL Brushed stainless steel anti-magnetic construction for noise reduction
 Double wall & internal baffle ventilation enables lighting base down to 60° from vertical position
 Finished with silver gray, high temperature, anti-scratch powder coat paint
 Locking rear knob protected by a safety cover for easy re-lamping
 Equipped with heavy duty rear & bottom mounted tubular skids
 Supplied with a UV safety glass & stainless steel wireguard
 Spring loaded integral barndoor holder with safety catch
 Reinforced steel tube yoke with 1" male spigot attached for C-clamp and side mounted cable holding loop
 Clutch activated T-handle for secure, single hand operation
 UL Listed

ELECTRICAL 115-240V, 50/60Hz
 Supplied with 25' detachable head to ballast cable
 Micro safety switch on both lamp lock and safety glass
 Equipped with silent igniters to operate from electronic or magnetic ballasts
 Weatherproof on/off push buttons
 IP23 rain tested

LAMP 4000w Maximum
 Capable of interchanging either a 2500 or 4000MSR lamp
 High voltage insulated G38 bi-pin socket for single ended HMI lamps (see table for suitable lamps)
 Capable of hot re-strike
 Collar clamping holds lamp firmly without stressing the electrical contacts

OPTICAL Specially designed reflector with optics that produce a 90° beam spread of flat even light across the entire field

ORDERING INFORMATION

Goya 2500/4000w

Model #	Description	Wt.
2740	HMI broadlight with 25' detachable head to ballast cable and heavy duty tubular steel yoke with 1" spigot	38.2
2740.600/S	System with 25' detachable head to ballast cable, heavy duty tubular steel yoke with 1" spigot, eight leaf barndoor and DEB 2500/4000w dual power flicker free electronic ballast	103.3
2740.610/S/L	System with 25' detachable head to ballast cable, heavy duty tubular steel yoke with 1" spigot, eight leaf barndoor, DEB 2500/4000w dual power flicker free electronic ballast and 4000MSR lamp	103.8
2740.680/K/S/L	Kit with 25' detachable head to ballast cable, heavy duty tubular steel yoke with 1" spigot, eight leaf barndoor, DEB 2500/4000w dual power flicker free electronic ballast, 4000MSR lamp and fly case for entire kit	n/a

Goya 2500/4000w Accessories

Model #	Description	Wt.
2535.100	DEB 2500/4000w dual flicker free electronic ballast 95/135v, 50/60Hz, low noise and 35% dimming capability, with 6' detachable main cable (MIL connector)	48.5
2746.200	Eight leaf barndoor	9.3
2747.100	Outrigger colorframe	3.0
2747.110	Outrigger colorframe mounting kit	0.5
2744.100	Black reflector kit	n/a
2744.200	White reflector kit	n/a
2749.100	Four piece stainless steel scrim set	1.1
2740/2	Diffuser glass	n/a
2740.601	Fly case for 2740.680/K/S/L kit	n/a
2535.601	Fly case for DEB 2500/4000w ballast	n/a
2431.100	Cable head to ballast 4000w, 25'	7.3
2431.200	Cable head to ballast 4000w, 50'	14.6
DGP-B200	3 Sections high wind-up stand with braked wheels	n/a

Goya® 2500/4000w HMI Softlight

2740 Series

PHOTOMETRICS

TYPICAL DISTANCES		20'	40'	60'	80'
LIGHT CENTER VALUES	Candle Power	FOOTCANDLES			
4000w	115,000	287	72	32	18
2500w	68,000	170	42	19	11

Values measured with MSR 2500HR & 4000HR lamps—230V

F.C. at any distance = CANDLE POWER: [Distance (in ft)] ²					
BEAM ANGLE (50% of center value)		BEAM SIZE (W x H in feet)			
WIDTH	85°	36.7'	73.4'	110'	146.6'
HEIGHT	85°	36.7'	73.4'	110'	146.6'

For illumination with any lamp, multiply the candlepower of a beam spread by the multiplying factor (mf) shown for that lamp.

To determine illumination in footcandles or lux at any throw distance, divide candlepower by distance squared.

For field diameter at any distance, multiply distance by .12

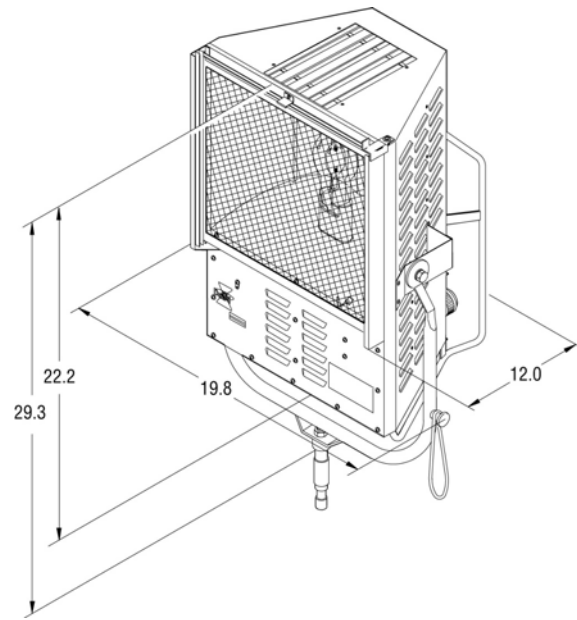
For beam diameter at any distance, multiply distance by .11

Metric Conversions: For Meters multiply feet by .3048
For Lux multiply footcandles by 10.76

LAMPING INFORMATION

Lamp Code	Watts	Volts	Color Temp	Avg. Rated Life
2500MSR	2500	230	5600K	750
4000MSR	4000	230	5600K	750

DIMENSIONS (Inches)



DE SISTI LIGHTING

dba Desmar Corporation
1109 Grand Avenue
North Bergen, NJ 07047
201-319-1100
201-319-1104 Fax
www.desisti.it