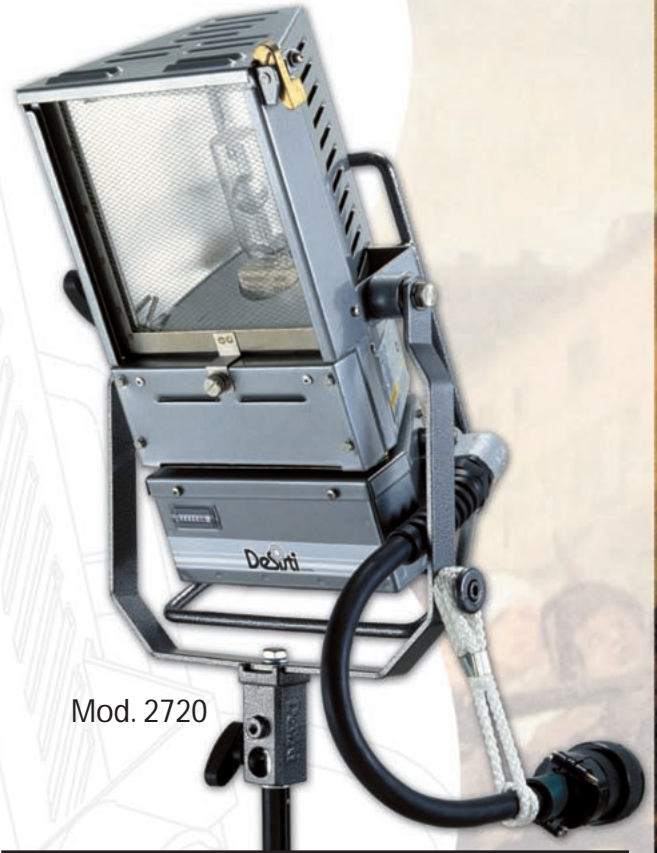
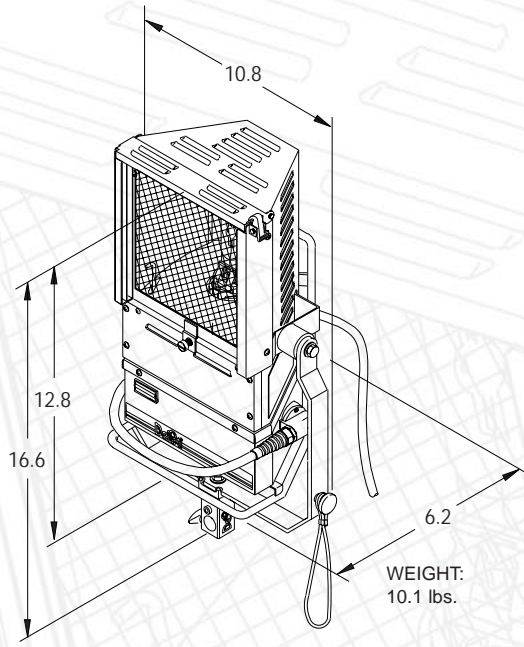


GOYA 575W

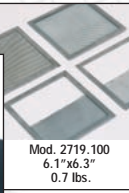


Mod. 2720

PHOTOMETRIC DATA GOYA 575W

Values measured with: MSR 575HR

		FEET				
		10'	20'	30'	40'	
		Candle Power				
LIGHT CENTER VALUES		14,274	143	36	16	9
F.C. at any distance = CANDLE POWER : [Distance (in ft)] ²						
BEAM ANGLE (50% OF CENTER VALUE)		BEAM SIZE (W x H in feet)				
WIDTH	HEIGHT	90°	20'	40'	60'	80'
		87°	19'	38'	56'	75.9'



Mod. 2505

