

**Panasonic**  
ideas for life

LCD Monitor Line-up Catalog

A Wider Variety of Production-Tough LCD Monitors  
for the Studio or for the Road



# Panasonic HD/SD Monitors:

Compact, energy-efficient LCD monitors with the superior picture quality and functions professionals need.

Four sizes and five models for everything from field recording to master monitoring in studios.



## BT-LH80W

The 7.9" wide-screen LCD is sized perfectly for recording use or installation in a vehicle. A focus assist function lets this monitor serve as a viewfinder for an HD camera.

- Advanced image-enhancing circuitry, including an I/P conversion circuit for excellent motion response and a diagonal line compensation circuit.
- Marker and blue-only functions.
- Waveform monitoring.
- Cross hatch overlay display.
- Pixel-to-pixel display without resizing HD pixels.
- Focus-in-Red function for easy HD focusing by showing sharply focused edges in red.
- Thin, small and light for on-camera mounting.
- Aluminum diecast frame.
- SDI (HD/SD, optional BT-YA80G) and component input.
- 15-pin viewfinder terminal for compatible camera-recorders.\*
- RS-232C/GPI remote control terminals.
- Tally lamp (red, green)
- DC operation (Anton Bauer/DC IN) and low power consumption.
- Side-by-side rack mounting (with optional adaptor).

\* AJ-HPX3000G/HPX2100/HDC27H/HDX900 and AG-HPX555. (AG-HPX555 displays SD resolution in black-and-white.)



## BT-LH900A

This small, lightweight, 8.4" unit features a high-resolution LCD panel and is ideal for monitoring recordings, installation in broadcast and production vehicles, and many more uses.

- Broadcast-quality color and gradation.
- Wide, 170° horizontal and vertical viewing angle.
- Marker and blue-only functions.
- Waveform monitoring.
- Cine-gamma (F-REC) compensation for Varicam shooting.
- Thin, small and light for on-camera mounting.
- Versatile detached control panel.
- Aluminum diecast frame.
- HD/SD multi-format compatibility with two SDI and component inputs.
- RS-232C/GPI remote control terminals.
- Tally lamp (red, green)
- DC operation (Anton Bauer/DC IN) and low power consumption.
- Side-by-side rack mounting (with optional BT-MA900G).



## BT-LH1700W

This versatile, rack-mountable 17" wide-screen LCD operates on AC/DC power and can be used in various applications both in the studio and in the field.

- Advanced image-enhancing circuitry, including excellent motion response and a diagonal line compensation circuit.
- Wide, 176° horizontal and vertical viewing angle.
- Marker and blue-only functions.
- Waveform monitoring.
- Coordination of multiple cameras on split screens.
- Cine-gamma (F-REC) compensation for Varicam shooting.
- Aluminum diecast frame.
- Two SDI and component inputs, PC input compatible.
- RS-232C/GPI remote control terminals.
- Tally lamp (red, green)
- Built-in stereo speakers
- AC/DC power
- Rack mounting (optional BT-MA1710G)
- Wall mounting (optional BT-WMA17G)
- LCD protective panel for outdoor use (optional BT-PRP17G)

# Full Support for Broadcasting



NEW

## BT-LH1760

**Double Speed**

Ideal for studio use, this model adds double-speed drive and a new image processing engine to the functions of the BT-LH1700W, for higher image quality. It also features a host of valuable functions that have been requested by our higher-end customers.

- Advanced image-enhancing circuitry, including excellent motion response and a diagonal line compensation circuit.
- Three-dimensional LUT offering virtually the same color reproduction as CRTs in all video formats.
- Double-speed drive displays moving images with minimal motion blurring.
- Wide, 176° horizontal and vertical viewing angle.
- Marker and blue-only functions.
- Vectorscope (SDI-In only) and waveform monitoring.
- Cross hatch overlay display.
- Pixel-to-pixel display without resizing HD pixels.
- Coordination of multiple cameras on split screens.
- Time code (SDI-In only) and closed caption display.
- Cine-gamma (F-REC) compensation for Varicam shooting.
- Aluminum diecast frame build quality.
- Two SDI, component and DVI-D inputs, PC input compatible.



120Hz Double-speed drive



60Hz Frame hold

- RS-232C/GPI remote control terminals.
- Tally lamp (red, green)
- Headphone jack and built-in stereo speakers.
- Low power consumption and quiet operation without fan noise.
- Audio level meter overlay display (with SDI input).
- AC/DC power
- Rack mounting (optional BT-MA1710G)
- Wall mounting (optional BT-WMA17G)
- LCD protective panel for outdoor use (optional BT-PRP17G)

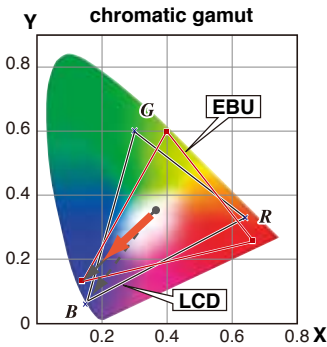
## BT-LH2600W

High-grade monitor for use in HD video production and transmission. Large 26" LCD panel with a pixel-to-pixel function accurately renders HD images.

- Advanced image-enhancing circuitry, including excellent motion response and a diagonal line compensation circuit.
- Wide, 176° horizontal and vertical viewing angle.
- Marker and blue-only functions.
- Waveform monitoring.
- Pixel-to-pixel function display without resizing HD pixels.
- Coordination of multiple cameras on split screens.
- Cine-gamma (F-REC) compensation for Varicam shooting.
- Two SDI and component inputs, PC input compatible.
- Audio level meter overlay display (with SDI input).
- Aluminum diecast frame build quality.
- RS-232C/GPI remote control terminals.
- Tally lamp (red, green)
- Built-in stereo speakers
- Wall mounting (optional BT-WMA26G)

# High-Quality Picture Ideal for Broadcasting Applications

## Faithful Color Reproduction Meets Broadcasting Needs



[2600W] [1760] [1700W] [900A]

The new BT-LH1760 features a new image processing engine. By using a three-dimensional LUT (Look Up Table) for each RGB color and applying precise 10-bit image processing, it achieves faithful color reproduction from low to high brightness levels in all video formats.

The BT-LH2600W and the BT-LH1700W use a

technology called color space conversion to produce the same EBU\*-based colors as a CRT.

\* SMPTE-C in North America.

## I/P Conversion Circuit for Motion Response

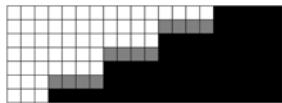
[2600W] [1760] [1700W] [80W]

A circuit delay time (not including panel delay) of approximately 5 msec\*1 is achieved by incorporating an I/P converter circuit that converts SD and HD interlace signals with high precision and generates a progressive signal without causing field-length delay. Minimizing the delay between the input signal and monitor output enables the user to confirm footage without any incongruity.

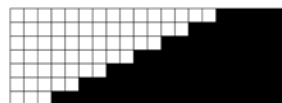
\*1: Differs slightly depending on the signal format.

## Diagonal Line Compensation

[2600W] [1760] [1700W] [80W]



Conventional Vertical Interpolation



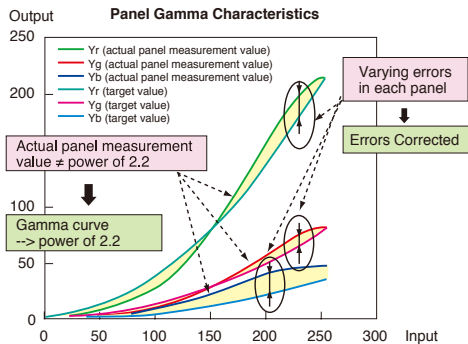
New Diagonal Interpolation

Jagged noise on diagonal lines in moving images is a common problem. These LCD monitors solve this by detecting correlations in the diagonal direction, resulting in smooth, precise reproduction of moving images.

## Gamma Compensation for Each Monitor

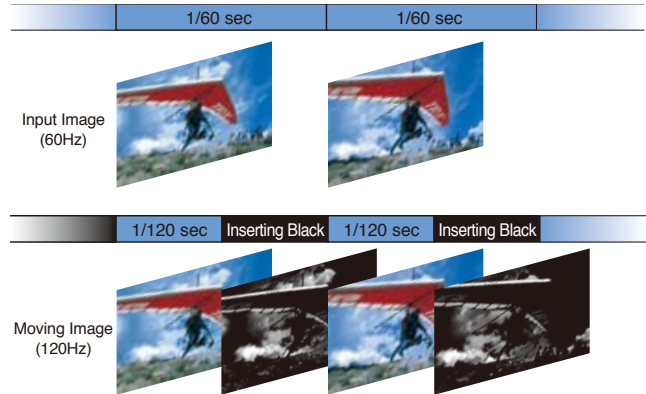
[2600W] [1760] [1700W] [900A] [80W]

In order to make the LCD monitor suitable for professional broadcasting applications, compensation is conducted for each monitor in 256 discrete RGB steps, rated gamma properties ( $g = 2.2$ ) are reproduced, and gradation suitable for broadcasting is achieved. Color temperature of 9300K/6500K/5600K; 3000K to 9300K can be selected with the variable setting.



## Double-Speed Drive for Blur-Less Moving Images [1760]

Moving images without any afterimage are achieved by driving at a speed (120 Hz/100 Hz) that is twice the panel speed and inserting a black frame of a certain level between frames. Unlike frame creation methods, this system minimizes afterimages while displaying images faithful to the input signal. This high-performance, high-speed image display function is ideal for broadcast applications.



## High-Speed Response

[2600W] [1760] [1700W]

The biggest concern when receiving a video feed is response time in the intermediate gradations. The new BT-LH1760 uses double-speed drive to achieve superb response over the entire image, enabling the vivid image display without blurring. The BT-LH2600W and BT-LH1700W feature an overdrive circuit to improve response in intermediate gradations.

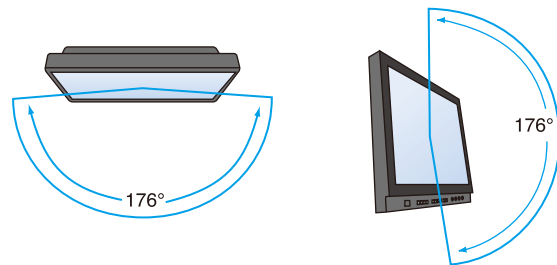
## Wide, 176° Viewing Angle

[2600W] [1760] [1700W]

## Wide, 170° Viewing Angle

[900A]

A 176° horizontal and vertical viewing angle is achieved in the BT-LH2600W/LH1760/LH1700W by using a high-intensity, high-contrast LCD panel. The BT-LH900A also has a wide, 170° horizontal and vertical viewing angle. Easy viewing is ensured by reducing changes in color due to the viewing angle.



## HD/SD Multi-Format

[2600W] [1760] [1700W] [900A] [80W]

Compatible with most HD and SD formats, Panasonic LCD monitors are ideal for a wide range of applications in locations around the world.

# Useful Display Functions for Professional Use

## Various Markers

[2600W] [1760] [1700W] [900A] [80W]



4:3 Aspect Marker



Safe Area and Center Marker



4:3 Aspect and Safe Area Marker  
(only the BT-LH2600W/LH1760/LH80W)

Various markers can be displayed in both 16:9 and 4:3 aspect ratios.

- **Aspect Marker (16:9):** 4:3, 13:9, 14:9, CNSCO or VISTA, with background brightness control of Black (0%), Half (50%) or Normal (100%).
- **Safe Area Marker (16:9/4:3):** 95%, 93%, 90%, 88% or 80%. In 16:9 mode, the BT-LH2600W/LH1760/LH80W can display a superimposed safe area marker corresponding to the aspect marker's angle of view.
- **Center Marker (16:9/4:3):** ON/OFF. The center marker can be displayed together with another marker, as shown in the example on the left.

## Cross Hatch Overlay

[1760] [80W]



A simple cross hatch overlay can be displayed (at 80/50\* dots interval, fixed) to check the tilt of the camera. You can also allocate the cross hatch function to any of the three function keys.

\*80 dots for the BT-LH1760, 50 dots for the BT-LH80W.

## Waveform Monitoring

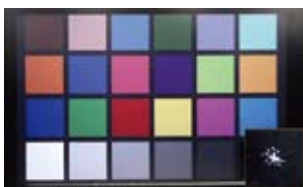
[2600W] [1760] [1700W] [900A] [80W]



All lines of the input signal is displayed as a waveform for monitoring. The BT-LH2600W/LH1760/LH1700W waveform display can be positioned in any of the four corners of the screen. The BT-LH900A/LH80W waveform is displayed in the lower right portion of the screen.

## Vectorscope Display

[1760]



All lines of the input signal is displayed as a vectorscope, and can be positioned in any of the four corners of the screen.

## HV Delay Display and Mono Mode

[2600W] [1760] [1700W]

The HV Delay function that displays the video blanking period, and the Mono mode that switches the display to black-and-white can be assigned to function keys for quick access.

## Pixel-to-Pixel Display

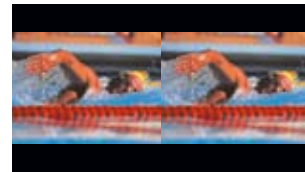
[2600W] [1760] [80W]



This function lets you display and confirm video pixels input in HD-SDI without any resizing. In the BT-LH2600W/LH1760, this function is useful for image confirmation. When using 1080i, choose from five display areas: center, right-top, right-bottom, left-top or left-bottom. In the BT-LH80W, this function facilitates focusing. With 1080/60i input signals, you can check the focus with a screen width equivalent to 19 inches.

## Coordination of Multiple Cameras on Split Screens

[2600W] [1760] [1700W]



A frame of video can easily be frozen and displayed as a still image on the left side of the screen. This function can be used to match a live camera with a frame of video shot at an earlier time or with a different camera. There are two display modes: FULL for displaying and comparing the entire image on the screen, and PART for displaying and comparing only the center part of the images.

## Audio Level Meter Overlay

[2600W] [1760]



The BT-LH2600W/LH1760 come with an audio embedded function. In addition, the SDI-input audio level can be displayed on the screen with a white skeleton bar meter. Choose from 2-channel/4-channel/8-channel/OFF for the display.

## Time Code Display Function

[1760]



With HD-SDI input, this function displays the value of the VITC, LTC or UB time code, depending on which one has been selected.

## Closed Caption Function

[1760]



When an NTSC video signal is input, this function can display close captions (32 characters x 15 lines). The display mode can be selected from CC1, CC2, CC3 or CC4.

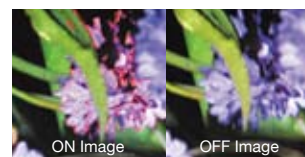
## Cine Gamma Compensation

[2600W] [1760] [1700W] [900A]

Equipped with a cine-gamma (F-REC) compensation function for compatibility as a monitor for the Varicam AJ-HDC27H Camcorder. This function supports the production of movies, film-like HDTV programs, and TV commercials.

## Focus-in-Red Function for HD Shooting

[80W]



This function emphasizes the sharply focused area of the image by showing it in an easily visible red, making it easier to focus the HD camera.

# Design and Specifications for Diverse Applications

## Compact, Ergonomic Design

[2600W] [1760] [1700W] [900A] [80W]

The interface section and operation section are integrated into the compact body. Taking advantage of the slim size and light weight of the LCD panel, this integrated design enhances setup flexibility and simplifies operation.

## Detached Control Panel Adds Versatility

[900A]

The control panel is separated from the monitor, making the BT-LH900A suitable for a wide range of applications, including use as a monitor or viewfinder.

## Function Keys

[2600W] [1760] [1700W] [900A] [80W]

Each of the function keys on the front panel can be assigned with a function selected from various display and switchover functions\* to enable one-touch display ON/OFF or mode change. These function buttons speed operation and customize the functions to the individual user's needs.

## Functions Assignable to Function Keys (for the BT-LH1760\*)

HV DELAY/AUTOSETUP/BLUE ONLY/GAMMA SELECT/  
SD ASPECT/SCAN/SUB WINDOW/WFM/VECTOR/MARKER/  
PIXEL TO PIXEL/PIXEL POSITION/LEVEL METER/CROSS HATCH/  
MONO/TIME CODE/CLOSED CAPTION/UNDEF

\* Assignable functions vary depending on the model.

## Tough Enough to Travel

[2600W] [1760] [1700W] [900A] [80W]



Panasonic BT-Series LCD monitors are built with an aluminum diecast frame. This superior build quality has been proven in the field to be production tough.

\* Front section only for the BT-LH2600W/LH1760/LH1700W.

## SDI and Component Input

[2600W] [1700W] [900A] [80W]

All four monitors allow for SDI with automatic switching between HD and SD. The BT-LH2600W and the BT-LH1700W are equipped with two SDI inputs and one SDI output. These models are also equipped with a component input (Y/Pb/Pr, RGB switching), Y/C, and composite. RGB is compatible with PC input.

The BT-LH1760 is equipped with two SDI inputs, one SDI output and one component input (Y/Pb/Pr, RGB switching). RGB is compatible with PC input. The BT-LH900A is equipped with two SDI inputs and one SDI output, one component input (Y/Pb/Pr or RGB switching), and one composite input. The BT-LH80W allows SDI input with the optional BT-YA80G, and is equipped with component (Y/Pb/Pr) input.

## DVI-D Terminal (HDCP supported)

[1760]

The BT-LH1760 is equipped with a DVI-D input terminal for connection to a digital device with DVI-D output. It also supports HDCP, so a device with an HDMI terminal, such as a BD/DVD player, can be connected using a commercially available conversion cable.

\* DVI-A (analog) and DVI-DL (Dual Link) are not supported.

## External Remote Compatibility

[2600W] [1760] [1700W] [900A] [80W]

The standard RS-232C (9-pin) and GPI (9-pin) remote input terminals allow the monitor to be operated by an external device.

## Tally Lamps

[2600W] [1760] [1700W] [900A] [80W]

The front panel has red and green tally lamps. The BT-LH80W also has a rear tally lamp for added convenience when using as a viewfinder.

## Viewfinder Connector

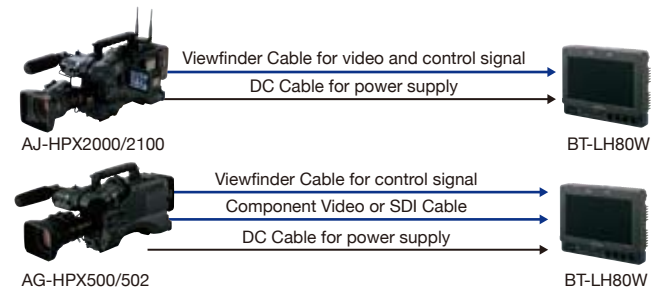
[80W]

Equipped with a 15-pin viewfinder terminal, the BT-LH80W can also be used as a viewfinder\* for compatible Panasonic camera-recorders — AJ-HDX900, AJ-HDC27H, AJ-HPX2000 (US model), AJ-HPX2100 (European/Asian model), AG-HPX500\* and AG-HPX502\* (Asian model).

You can also run the BT-LH80W on DC power supplied by these camera-recorders. Connection is easy, requiring only a viewfinder cable and DC power cable, supplied as the optional BT-CS80G.

\*1: Optional hardware is required for mounting to a camera-recorder

\*2: When connected to AG-HPX500 or AG-HPX502 with a 15-pin cable, SD-resolution black-and-white is displayed. For HD color display, the BT-YA80G optional SD Input Unit must be connected via SDI.



## Stereo Speakers

[2600W] [1760] [1700W]

The built-in speakers on the right and left sides of the screen let you confirm stereo sound without having to connect external speakers.

## Headphone Jack

[1760]

The BT-LH1760 is provided with a headphone jack.

## Low Consumption Current, Fanless Drive

[1760]

The low-current-consuming LCD provides extra flexibility for use in an OB van or in the studio, and provides high cost-effectiveness. The consumption current of the new BT-LH1760 operating on AC power is about 50% lower than our previous model. This enables fanless drive. Its quiet operation makes this model ideal for use in an editing studio or MA room.

## Power Save Mode

[1760]

When no signal is received for 60 continuous seconds, the Power Save Mode is activated to minimize power consumption.

## DC and Low Power Operation

[900A] [80W]

DC operation (Anton Bauer/DC IN) makes the BT-LH900A and BT-LH80W ideal for use outdoors. Power consumption is very low, despite their HD/SD compatibility.

## Rack Mounting

[1760] [1700W] [900A] [80W]

These four models can be mounted in a 19" rack. The BT-LH80W and BT-LH900A allow side-by-side rack mounting when optional rack mounting hardware is used. The BT-LH1760 and BT-LH1700W use the optional BT-MA1710G adaptor for rack mounting.

## Wall Mounting

[2600W] [1760] [1700W]

The optional wall mounting hardware (BT-WMA17G or BT-WMA26G, sold separately) allows wall mounting of these thin, lightweight LCD monitors.

## Protective Panel

[1760] [1700W]

The optional protective panel (BT-PRP17G) protects the LCD panel from environmental elements such as sand and dust in outdoor use.

# Usage Examples for Panasonic LCD Video Monitors



## Field Use/Movie Production

Panasonic LCD monitors are equipped with all the functions needed for EFP, such as DC/battery operation and waveform monitor display. These LCD monitors provide reliable support for HD recording in the field.

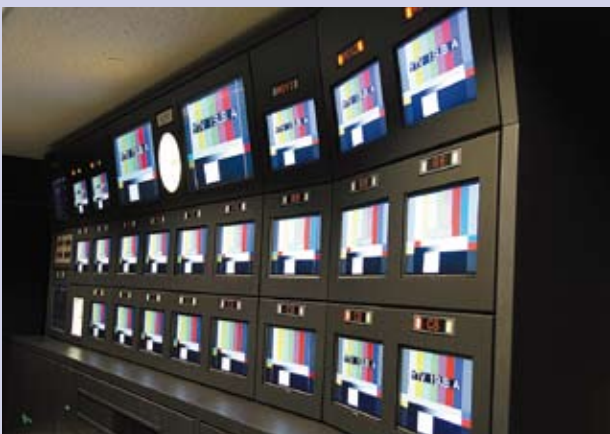
- Top: Progressive Pictures Co., Ltd.
- Bottom: Cinematographer Nagata, J.S.C.



## OB Van

Using the compact 8" and 9" LCDs, an OB van can be fitted with as many monitor units as those in a sub-studio. Panasonic LCD monitors also reduce power consumption.

- Take One Co., Ltd.



## Studio

With their fast response, short delay, and wide viewing angle, Panasonic LCD monitors ensure reliable image checking. They minimize afterimages and jaggies even in fast-moving sports images and CG superimpositions. The space-saving integrated design allows easy maintenance.

- Yomiuri Telecasting Corporation



## Editing Room

The integrated design with control buttons located at the bottom of the front panel is great. Panasonic LCD monitors offer easy operation and space-saving installation. Since their color reproduction is equivalent to a CRT monitor, they enable reliable signal control.

- Hokuriku Asahi Broadcasting Co., Ltd.

# Front Control Panel



# Interfaces and Supported Video Format



BT-LH2600W Rear Panel



BT-LH900A Rear Panel



BT-LH1760 Rear Panel



BT-LH80W Rear Panel



BT-LH1700W Rear Panel

# Optional Accesories



**BT-WMA26G** (Indoor use only)  
Wall Mount Adaptor  
for BT-LH2600W



**BT-WMA17G** (Indoor use only)  
Wall Mount Adaptor  
for BT-LH1760/LH1700W



**BT-PRP17G**  
Protective Panel  
for BT-LH1760/LH1700W



**BT-YAE1700G**  
Embedded Audio Unit  
for BT-LH1700W



**BT-MA1710G**  
Rack Mount Adaptor  
for BT-LH1760/BT-LH1700W



# Supported Video Format

Input Signal	BT-LH2600W/1700W						BT-LH1760					
	VIDEO	Y/C	SDI 1	SDI 2	Y/Pb/Pr*1	RGB-VIDEO*1	VIDEO	SDI 1	SDI 2	Y/Pb/Pr*1	RGB-VIDEO*1	DVI-VIDEO*1
NTSC	✓	✓					✓					
PAL	✓	✓					✓					
480/59.94i			✓	✓	✓	✓	✓	✓	✓	✓	✓	
480/59.94p					✓	✓				✓	✓	✓
576/50i			✓	✓	✓	✓	✓	✓	✓	✓	✓	
576/50p					✓	✓				✓	✓	✓
720/50p			✓	✓	✓	✓	✓	✓	✓	✓	✓	✓
720/59.94p			✓	✓	✓	✓	✓	✓	✓	✓	✓	✓
720/60p			✓	✓	✓	✓	✓	✓	✓	✓	✓	✓
1035/59.94i			✓*3	✓*3	✓*3	✓*3	✓*3	✓*3	✓*3	✓*3	✓*3	
1035/60i			✓*4	✓*4	✓*4	✓*4	✓*4	✓*4	✓*4	✓*4	✓*4	
1080/23.98PsF			✓	✓	✓		✓	✓	✓	✓		
1080/24PsF			✓	✓	✓		✓	✓	✓	✓		
1080/23.98p			✓	✓	✓		✓	✓	✓	✓		
1080/24p			✓	✓	✓		✓	✓	✓	✓		
1080/50p			✓	✓	✓		✓	✓	✓	✓		
1080/29.97p			✓	✓	✓		✓	✓	✓	✓		
1080/30p			✓	✓	✓		✓	✓	✓	✓		
1080/50i			✓	✓	✓	✓	✓	✓	✓	✓	✓	✓
1080/50p					✓					✓		✓
1080/59.94i			✓	✓	✓	✓	✓	✓	✓	✓	✓	✓
1080/60i			✓	✓	✓	✓	✓	✓	✓	✓	✓	✓
1080/59.94p					✓					✓		✓
1080/60p					✓					✓		✓

✓: Supported \*1: One pair of terminals is provided for Y/Pb/Pr and RGB input. The input signal type is selected in the menu. For RGB, the input signal type is selected from VIDEO or COMP.  
 \*2: When a DVI-D input terminal is used, the input signal type is selected from VIDEO or COMP. \*3: When a 1035/59.94i signal is input, images are displayed in 1080/59.94i. In that case, the displayed markers are for 1080/59.94i. \*4: When 1035/60i signal is input, images are displayed in 1080/60i. In that case, the displayed markers are for 1080/59.94i.

Input Signal	BT-LH2600W	BT-LH1760		BT-LH1700W
	RGB-COMP.*1	RGB-COMP.*1	DVI-COMP.*2	RGB-COMP.*1
600 x 400 (70Hz)	✓	✓		✓
600 x 480 (60Hz)	✓	✓	✓	✓
600 x 480 (75Hz)	✓	✓		✓
600 x 480 (85Hz)	✓	✓		✓
800 x 600 (60Hz)	✓	✓	✓	✓
800 x 600 (70Hz)		✓		
800 x 600 (75Hz)	✓	✓		✓
800 x 600 (85Hz)	✓	✓		✓
1024 x 768 (60Hz)	✓	✓	✓	✓
1024 x 768 (70Hz)	✓	✓		✓
1024 x 768 (75Hz)	✓	✓		✓
1024 x 768 (85Hz)	✓	✓		✓
1280 x 768 (50Hz)		✓	✓	
1280 x 768 (60Hz)	✓	✓	✓	✓
1280 x 768 (75Hz)	✓	✓		✓
1280 x 1024 (60Hz)	✓	✓		✓

✓: Supported \*1: One pair of terminals is provided for Y/Pb/Pr and RGB input. The input signal type is selected in the menu. For RGB, the input signal type is selected from VIDEO or COMP.  
 \*2: When a DVI-D input terminal is used, the input signal type is selected from VIDEO or COMP.

Input Signal	BT-LH900A				BT-LH80W				
	VIDEO	SDI	Y/Pb/Pr*1	RGB	VIDEO	VF-VIDEO*1	VF-Y/Pb/Pr*1	Y/Pb/Pr*1	SDI*2
NTSC	✓				✓	✓			
PAL	✓				✓	✓			
480/59.94i		✓	✓	✓			✓	✓	✓
480/59.94p			✓	✓			✓	✓	✓
576/50i		✓	✓	✓			✓	✓	✓
576/50p							✓	✓	✓
720/50p		✓	✓				✓	✓	✓
720/59.94p		✓	✓	✓			✓	✓	✓
720/60p		✓	✓	✓			✓	✓	✓
1035/59.94i		✓*3	✓*3	✓*3			✓*3	✓*3	✓*3
1035/60i		✓*4	✓*4	✓*4			✓*4	✓*4	✓*4
1080/23.98PsF		✓	✓				✓	✓	✓
1080/24PsF		✓	✓				✓	✓	✓
1080/23.98p		✓	✓				✓	✓	✓
1080/24p		✓	✓						
1080/50p		✓	✓						
1080/29.97p		✓	✓						
1080/30p		✓	✓						
1080/50i		✓	✓	✓			✓	✓	✓
1080/59.94i		✓	✓	✓			✓	✓	✓
1080/60i		✓	✓	✓			✓	✓	✓

✓: Supported \*1: One pair of terminals is provided for Y/Pb/Pr and RGB input. The input signal type is selected in the menu. For VF, the input signal type is selected from VIDEO or Y/Pb/Pr. \*2: When using the BT-YA80G optional SDI Input Unit. \*3: When a 1035/59.94i signal is input, images are displayed in 1080/59.94i. In that case, the displayed markers are for 1080/59.94i. \*4: When 1035/60i signal is input, images are displayed in 1080/60i. In that case, the displayed markers are for 1080/59.94i.



**BT-MA900G**  
Rack Mount Adaptor  
for BT-LH900A



Rack Mount Adaptor  
for BT-LH80W



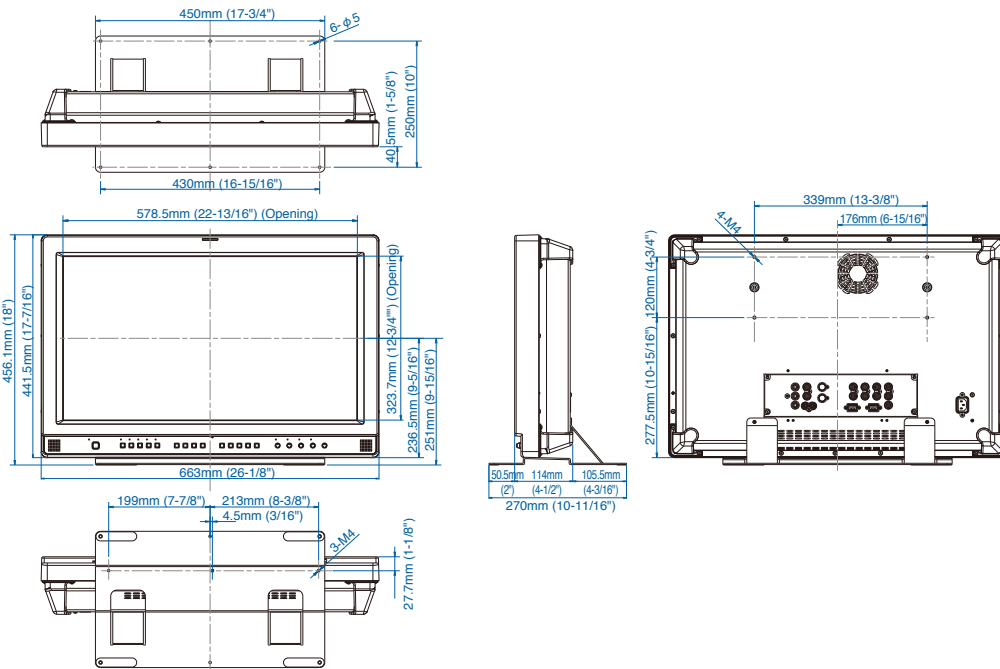
**BT-YA80G**  
SDI Input Unit  
for BT-LH80W



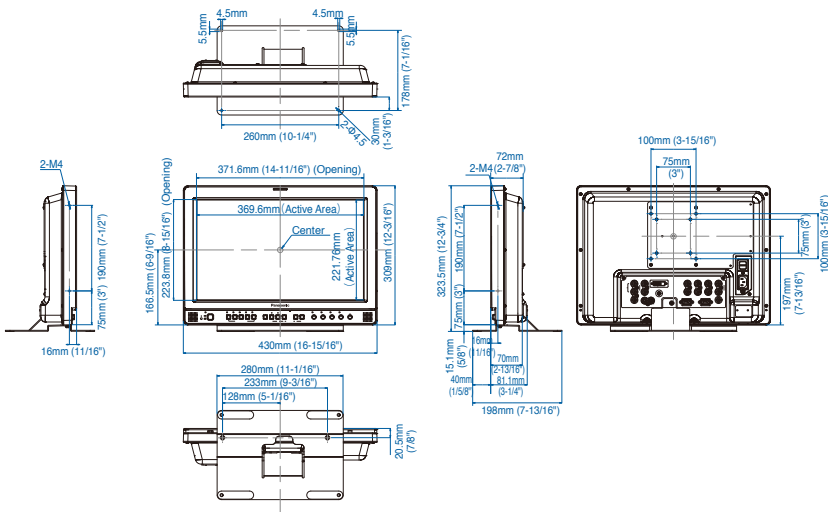
**BT-CS80G**  
VF Cable set for BT-LH80W  
(Viewfinder Cable, DC Cable)

# Dimensions

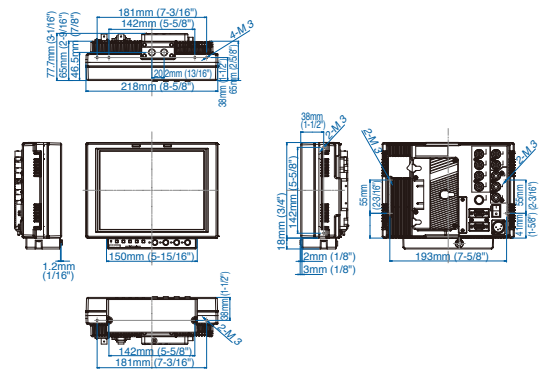
## BT-LH2600W



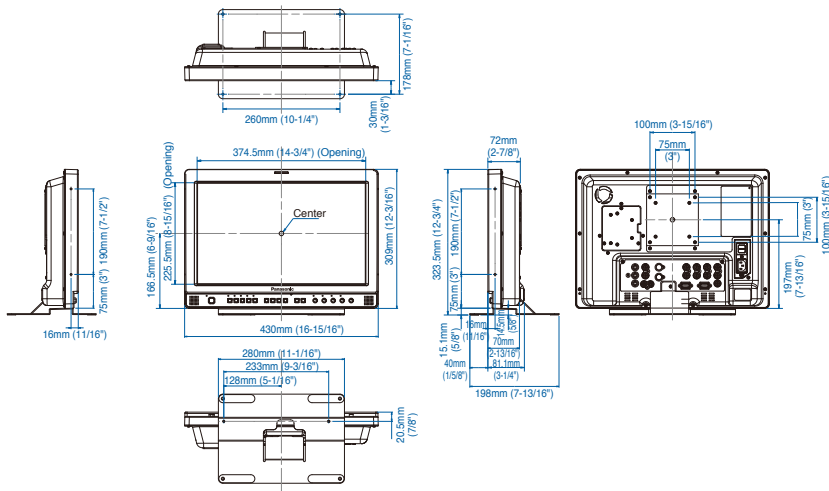
## BT-LH1760



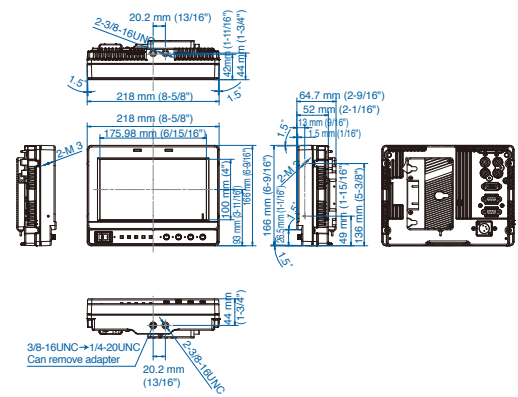
## BT-LH900A



## BT-LH1700W



## BT-LH80W



# Specifications

	BT-LH2600W	BT-LH1760	BT-LH1700W
<b>GENERAL</b>			
Power Requirement:	AC100V to 240V 50/60Hz	AC100V to 240V 50/60Hz, DC12V (11V to 17V)	AC100V to 240V 50/60Hz, DC12V (11V to 17V)
Power Consumption:	1.5A to 0.6 A	0.6A to 0.3 A, 4.0A with DC 12V	1.1A to 0.6 A ; 4.5A with DC 12V
Dimensions (WxHxD):	663 x 456.1 x 270 mm (26-3/32" x 17-31/32" x 10-5/8", Including stand) 663 x 441.5 x 114mm (26-3/32" x 17-3/8" x 4-1/2", Main unit only; not including stand)	430 x 323.5 x 198mm (16-15/16" x 12-3/4" x 7-13/16", Including stand) 430 x 309 x 81.1mm (16-15/16" x 12-3/16" x 3-1/4", Main unit only; not including stand)	430 x 323.5 x 198mm (16-15/16" x 12-3/4" x 7-13/16", Including stand) 430 x 309 x 81.1mm (16-15/16" x 12-3/16" x 3-1/4", Main unit only; not including stand)
Weight:	17.5kg (38.5 lbs) (Including stand), 15.0kg (33.0 lbs) (not including stand)	7.1kg (15.7 lbs) (Including stand), 6.2kg (13.7 lbs) (not including stand)	8.1kg (17.8 lbs) (Including stand), 7.2kg (15.8 lbs) (not including stand)
Operating Temperature:	+5°C to +35°C (41°F to 95°F)	+5°C to +35°C (41°F to 95°F)	+5°C to +35°C (41°F to 95°F)
Operating Humidity:	20% to 80% (non dew)	20% to 80% (non dew)	20% to 80% (non dew)
Storage Temperature:	-20°C to +60°C (-4°F to 140°F)	-20°C to +60°C (-4°F to 140°F)	-20°C to +60°C (-4°F to 140°F)
<b>LCD PANEL</b>			
Panel Size:	26 inch	17.0 inch	17.1 inch
Aspect Ratio:	16:9	15:9	15:9
Resolution:	1,366 x 768 pixels (WXGA)	1,280 x 768 pixels (WXGA)	1,280 x 768 pixels (WXGA)
Display colors:	Approx. 16,770,000 colors	Approx. 16,770,000 colors	Approx. 16,700,000 colors
Viewing Angle:	176° (both horizontal and vertical)	176° (both horizontal and vertical)	176° (both horizontal and vertical)
<b>CONNECTORS</b>			
Video input:	Video: BNC x 2 (with through-out connector x 1) Y/C: 4-pin x 2 (with through-out connector x 1) Y/Pb/Pr/RGBS: BNC x 8 (with through-out connector x 4*) SDI: BNC x 3 (switched-out connector x 1)	Video: BNC x 2, (with through-out connector) Y/Pb/Pr/RGB: BNC x 8 (with through-out connector x 4*) SDI: BNC x 3 (switched-out connector x 1) DVI-D (HDCP): DVI-D x 1 Vertical frequency: 50.0 to 60.0 Hz Horizontal frequency: 31.5 to 67.5 KHz Dot clock: 25 to 165 MHz	Video: BNC x 2, (with through-out connector) Y/C: 4-pin x 2, (with through-out connector) Y/Pb/Pr/RGB: BNC x 8 (with through-out connector x 4*) SDI: BNC x 3 (switched-out connector x 1)
Audio input:	Pinjack x 2 (stereo)	Pinjack x 2 (stereo)	Pinjack x 2 (stereo)
Headphone output:	--	M3 stereo mini jack x 1	--
Remote:	GPI: D-SUB, 9pin RS-232C: D-SUB, 9pin	GPI: D-SUB, 9pin RS-232C: D-SUB, 9pin	GPI: D-SUB, 9pin RS-232C: D-SUB, 9pin
External DC power input:	--	XLR, 4pin	
<b>SIGNAL LEVEL</b>			
Video:	EXT SYNC signal level: 0.3Vp-p to 4.0Vp-p HD/VD Signal level: TTL level	EXT SYNC signal level: 0.3Vp-p to 4.0Vp-p HD/VD Signal level: TTL level	EXT SYNC signal level: 0.3Vp-p to 4.0Vp-p HD/VD Signal level: TTL level
Audio:	Audio input signal level: 0.5Vrms Speaker output: 0.5W + 0.5W	Audio input signal level: 0.5Vrms Speaker output: 0.5W + 0.5W Head phone output: 32Ω, Variable Level	Audio input signal level: 0.5Vrms Speaker output: 0.5W + 0.5W
SDI Embedded Audio:	HD-SDI: SMPTE299M standard, 48kHz, 8CH synchronous/asynchronous SD-SDI: SMPTE272M standard, 48kHz, 4CH synchronous	HD-SDI: SMPTE299M standard, 48kHz, 8CH synchronous/asynchronous SD-SDI: SMPTE272M standard, 48kHz, 4CH synchronous	HD-SDI SMPTE299M standard, 48kHz, 8CH synchronous/asynchronous SD-SDI SMPTE272M standard, 48kHz, 4CH synchronous (when the optional BT-YAE1700G is installed)
<b>OTHERS</b>			
Supplied Accessories:	Power cord, power cord hook, screw	Power cord, power cord hook, screw, Power plug adapter	Power cord, power cord hook, screw, Power plug adapter
Option:		Rack mount adaptor, Wall Mount Adaptor, Protective Panel	Embedded audio unit, Rack mount adaptor, Wall Mount Adaptor, Protective Panel

	BT-LH900A	BT-LH80W
<b>GENERAL</b>		
Power Requirement:	DC12V (11 to 17V)	DC12V (11 to 17V)
Power Consumption:	1.45 A with DC 12V	1.5 A with DC 12V
Dimensions (WxHxD):	218 x 176 (4U) x 65 mm (8-5/8" x 6-15/16" x 2-9/16")	218 x 166 x 64.7 mm(8-5/8" x 6-9/16" x 2-9/16")
Weight:	2.0 kg (4.4 lbs )	1.5kg (3.3 lbs)
Operating Temperature:	+0°C to +40°C (32°F to 104°F)	+0°C to +40°C (32°F to 104°F)
Operating Humidity:	10% to 85% (non dew)	10% to 85% (non dew)
Storage Temperature:	-20°C to +60°C (-4°F to 140°F)	-20°C to +60°C (-4°F to 140°F)
<b>LCD PANEL</b>		
Panel Size:	8.4 inch	7.9 inch (Effective display)
Aspect Ratio:	4:3	16:9 (Effective display area)
Resolution:	1024 x 768 pixels (XGA)	800 x 450 pixels (Effective display area)
Display colors:	Approx. 16,770,000 colors	Approx. 16,770,000 colors
Viewing Angle:	170° (both horizontal and vertical)	110° vertical, 120° horizontal
<b>CONNECTORS</b>		
Video input:	Video: BNC x 2 (with through-out connector) Y/Pb/Pr/RGB: BNC x 4 SDI (BNC) x 3 (switched out connector x 1)	Video: BNC x 1 Y/Pb/Pr/RGB: BNC x 3(Y shares with Video) SDI: BNC x 1 (Effective only when the optional BT-YA80G is installed) VF: D-SUB, 15pin x 1
Remote:	GPI: D-SUB, 9pin RS-232C: D-SUB, 9pin	GPI: D-SUB, 9pin RS-232C: D-SUB, 9pin
External DC power input:	XLR, 4-pin	XLR, 4-pin
<b>OTHERS</b>		
Supplied Accessories:	Battery holder for Anton/Bauer battery (Built-in)	Battery holder for Anton/Bauer battery (Built-in)
Option:	Rack mount adaptor	SDI input unit, VF cable set (Viewfinder Cable, DC Cable)

The specifications shown above are subject to change without notice

# Panasonic®

**Matsushita Electric Industrial Co., Ltd.**  
**Systems Business Group**  
 2-15 Matsuba-cho, Kadoma, Osaka 571-8503  
 Japan  
 Phone +81 6 6905 4650 Fax +81 6 6908 5969  
<https://eww.pavc.panasonic.co.jp/pro-av/>

## [Countries and Regions]

Argentina	+54 1 308 1610	Malaysia	+60 3 5549 5422 (PSE)
Australia	+61 2 9986 7400	Mexico	+60 3 5546 7000 (PM)
Bahrain	+973 252292	Montenegro, Serbia	+52 55 5488 1000
Belgium	+32 (0)2 481 04 57		
Bulgaria	+359 2 946 0786	Netherlands	+41 (0)26 466 25 20
Brazil	+55 11 3889 4035	New Zealand	+31 73 64 02 577
Canada	+1 905 624 5010	Norway	+64 9 272 0100
China	+86 10 6515 8828	Pakistan	+47 67 91 78 00
(Hong Kong	+852 2313 0888)	Peru	+92 5370320 21
Czech Republic	+420 236 032 552/511	Philippines	+507 229 2955
Denmark	+45 43 20 08 57	Poland	+51 1 614 0000
Egypt	+20 2 2 3938151	Portugal	+63 2 633 6162
Finland, Latvia, Lithuania, Estonia	+358 (9)521 52 53	Puerto Rico	+48 (22)338 1100
France	+33 (0)1 55 93 66 67	Romania	+351 21 425 77 04
Germany, Austria		Russia & CIS	+1 787 750 4300
	+49 (0)611 235 401	Slovak Republic	+40 21 211 4855
Greece	+30 210 96 92 300	Slovenia, Croatia, Bosnia, Macedonia	+7 495 725 0565
Hungary	+36 (1)382 60 60	South Africa	+65 6270 0110
India	+91 11 2437 9962	Spain	+421 (0)2 52 92 14 23
Indonesia	+62 21 385 9449	Sweden	+44 (0)20 76 63 36 57
Iran	+98 21 2271463	Switzerland	+27 11 313 1400
Italy	+39 02 6788 367		+34 (93) 425 93 00
Kazakhstan	+7 3272 504 777		+46 (8) 680 26 41
Korea	+82 2 2106 6641		+41 (0)41 259 96 32

Taiwan	+886 2 2725 9100
Thailand	+66 2 731 8888
Turkey	+90 216 578 3700
U.A.E. (for All Middle East)	+971 4 282201
	+380 44 4903437
	+380 44 4903438
	[ext. 112]
U.K	+44 (0) 1344 70 69 20
U.S.A.	+1 201 348 5300
Vietnam	+848 8370 280



JQA-0443



Factories of Systems Business Group have received ISO14001:2004-the Environmental Management System certification. (Except for 3rd party's peripherals.)