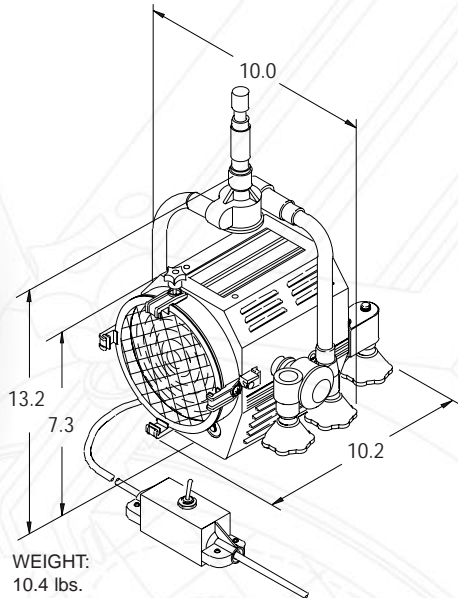
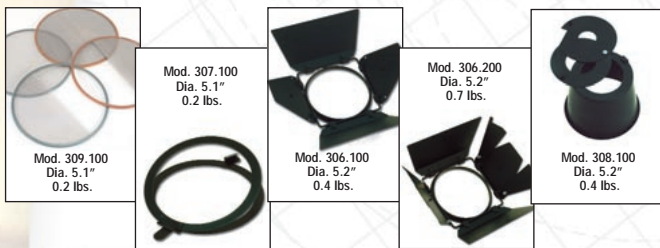


MAGIS 300/500/650 W



Mod. 301



PHOTOMETRIC DATA MAGIS 300/500/650 W						
Values measured with CP 81 (300W), CP 82 (500W) and CP 89 (650W) Lamps - 220V, 120mm. Dia. Fresnel Lens						
FEET						
TYPICAL DISTANCES		10'	20'	30'	40'	
LIGHT CENTER VALUES	Candle Power	FOOTCANDLES				
SPOT	300W	27,000	270	68	30	17
	500W	42,030	420	105	47	26
	650W	77,994	780	195	87	49
FLOOD	300W	3,250	33	8	4	2
	500W	5,850	59	15	7	4
	650W	11,250	113	28	13	7
F.C. at any distance = CANDLE POWER : [Distance (in ft)] ²						
BEAM ANGLE (50% OF CENTER VALUE)		BEAM DIAMETER in feet				
SPOT	8°	1.4'	2.8'	4.2'	5.6'	
FLOOD	57.7°	9.9'	19.8'	29.7'	39.6'	



Mod. 300

