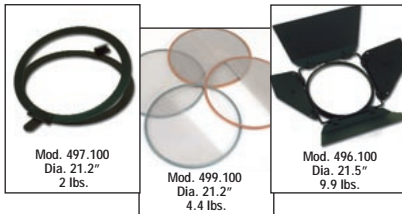
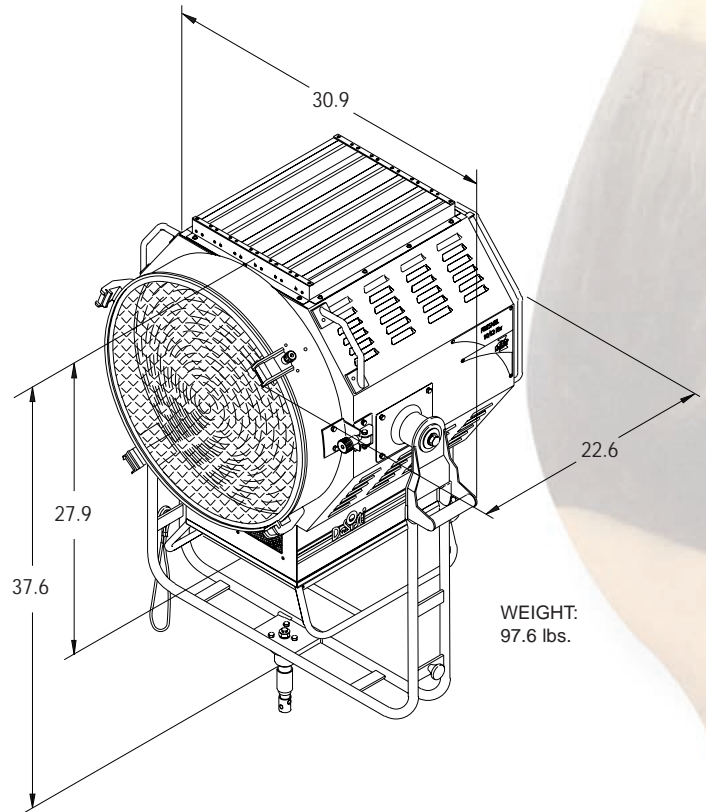


SUPER LEO 10/12kW



Mod. 490 - Power Switch version
 Mod. 492 - On Board Dimmer version

PHOTOMETRIC DATA SUPER LEO 10/12kW						
Values measured with: CP 83 (10kW) and FUJI 12kW lamps, 230V, 500 mm. Dia. Fresnel Lens						
FEET						
TYPICAL DISTANCES		20'	40'	60'	80'	
LIGHT CENTER VALUES		Candle Power		FOOTCANDLES		
SPOT	10kW	990,000	2,475	619	275	155
	12kW	1,070,000	2,675	669	297	167
FLOOD	10kW	160,000	400	100	44	25
	12kW	170,000	425	106	47	27
F.C. at any distance = CANDLE POWER : [Distance (in ft)] ²						
BEAM ANGLE (50% OF CENTER VALUE)			BEAM DIAMETER in feet			
SPOT	10°	3.5'	7'	10.5'	14'	
FLOOD	50°	18.7'	37.3'	56'	74.6'	



Accessories for "On Board Dimmer version"

