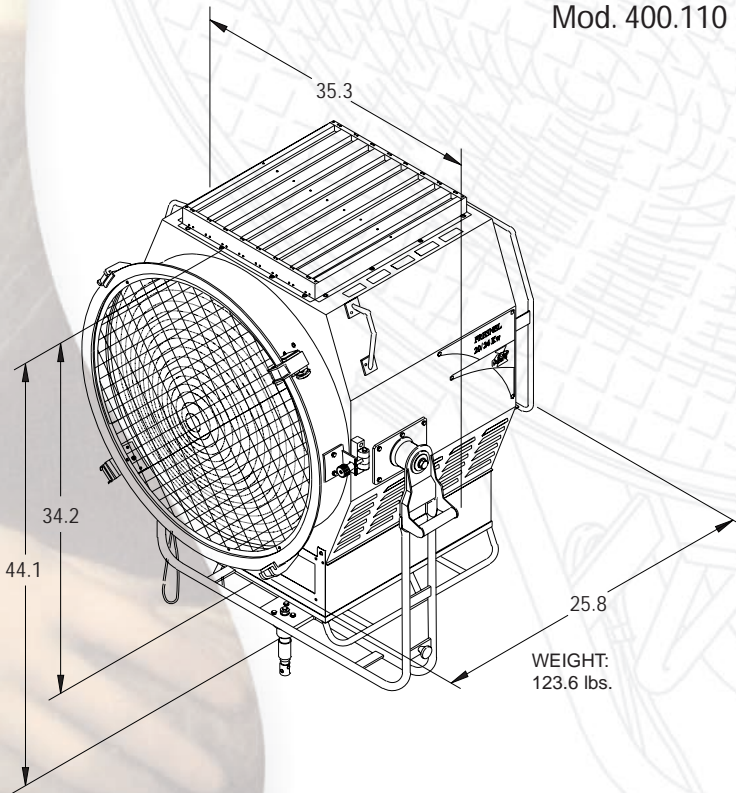


SUPER LEO 20/24kW



Mod. 400.200 - Power Switch version
 Mod. 400.110 - On Board Dimmer version



PHOTOMETRIC DATA SUPER LEO 20/24 kW					
Values measured with: KOTO 20kW and 24kW lamps, 230V, 625 mm. Dia. Fresnel Lens					
FEET					
TYPICAL DISTANCES		25'	50'	75'	100'
LIGHT CENTER VALUES		Candle Power		FOOTCANDLES	
SPOT	20kW	2,200,000	3,250	880	391
	24kW	3,130,000	5,008	1,252	556
FLOOD	20kW	360,000	576	144	64
	24kW	540,000	864	216	96
F.C. at any distance = CANDLE POWER : [Distance (in ft)] ²					
BEAM ANGLE (50% OF CENTER VALUE)			BEAM DIAMETER in feet		
SPOT	10°	4.4'	8.7'	13.1'	17.5'
FLOOD	50°	23.3'	46.6'	69.9'	93.3'

Accessories for "On Board Dimmer version"

