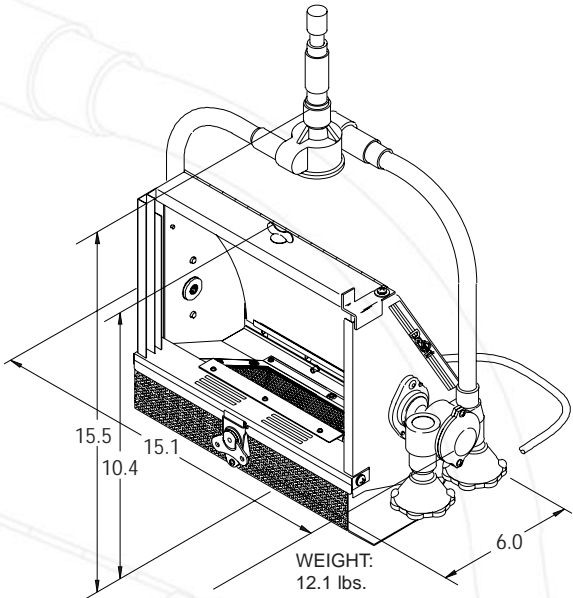
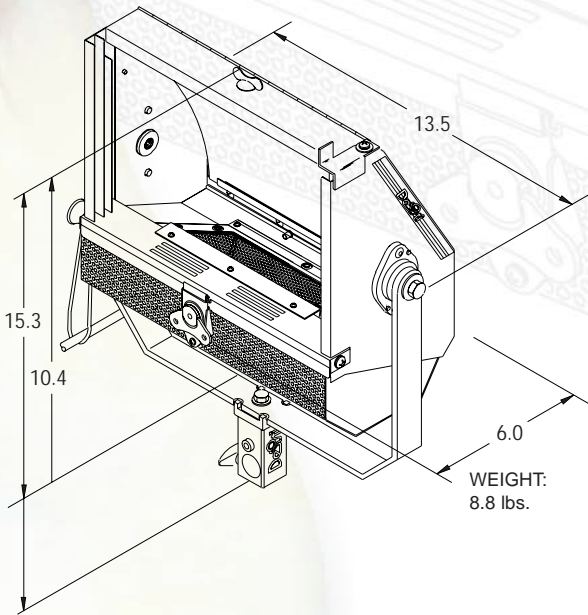
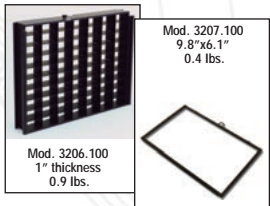




Mod. 3202



| PHOTOMETRIC DATA WYETH 1000W | | | | | |
|---|-------------|-------|---------------------------|-------|-------|
| Values measured with: P2/20 Lamp, 230V, Silver reflector | | | | | |
| FEET | | | | | |
| TYPICAL DISTANCES | 10' | 20' | 30' | 40' | |
| Candle Power | FOOTCANDLES | | | | |
| LIGHT CENTER VALUES | 5,950 | 60 | 15 | 7 | 4 |
| F.C. at any distance = CANDLE POWER : [Distance (in ft)] ² | | | | | |
| BEAM ANGLE (50% OF CENTER VALUE) | | | BEAM SIZE (W x H in feet) | | |
| WIDTH | 67" | 13.2' | 26.5' | 39.7' | 53' |
| HEIGHT | 57" | 10.9' | 21.7' | 32.6' | 43.4' |



Mod. 3200

